

Fig. 1

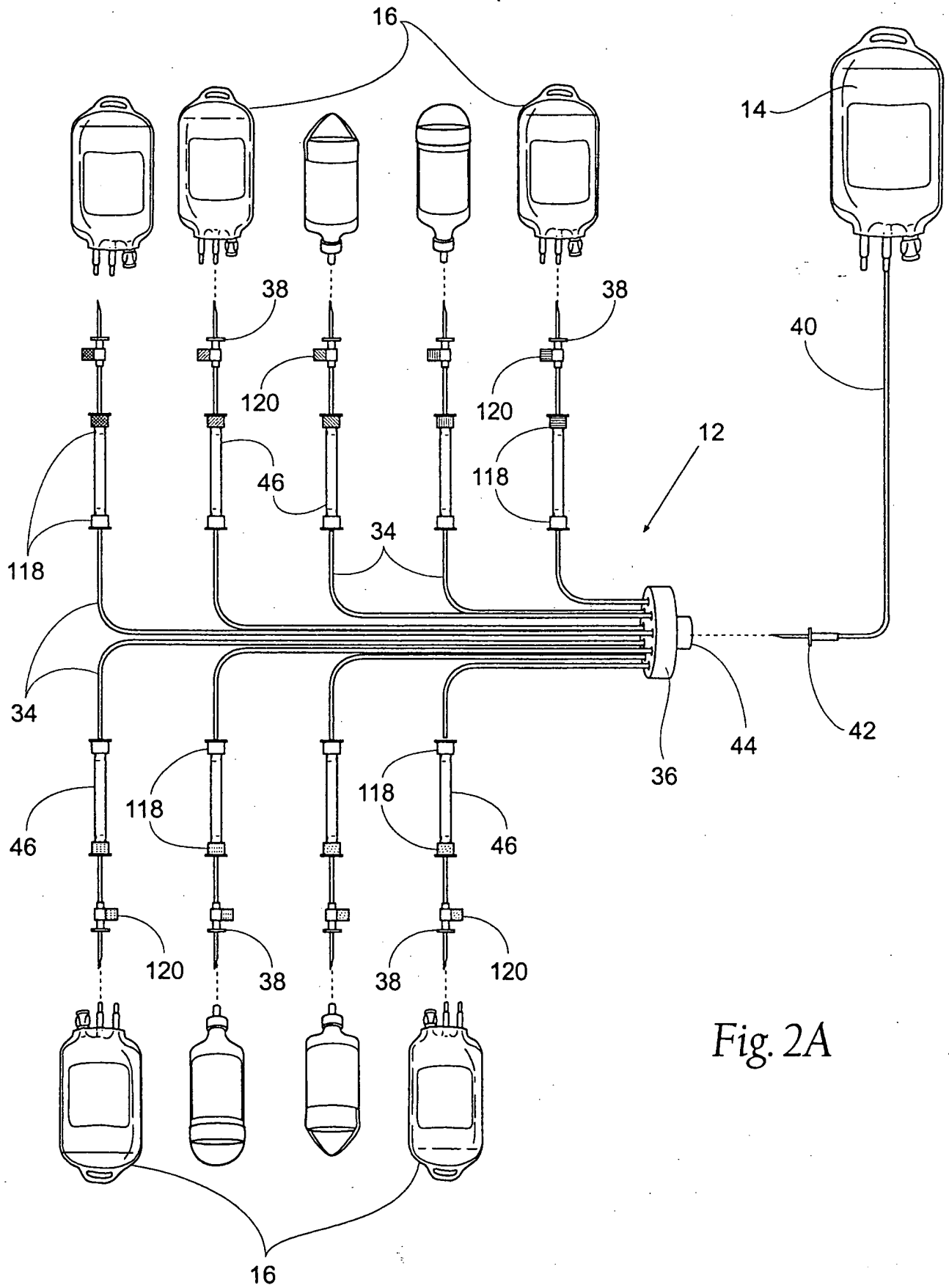
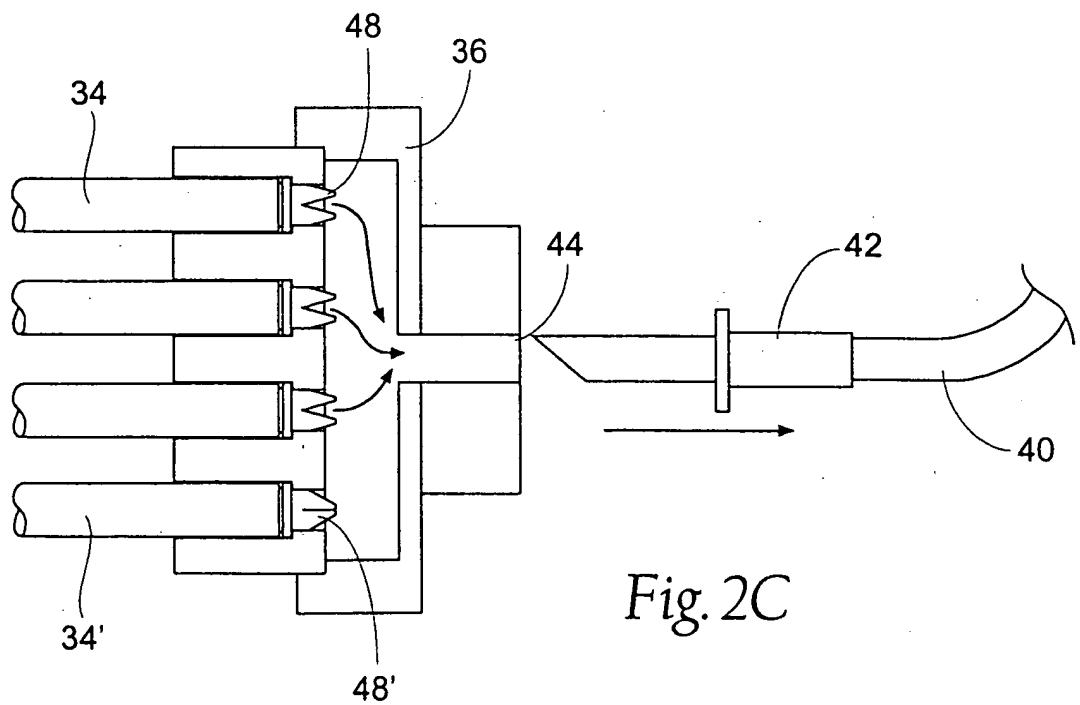
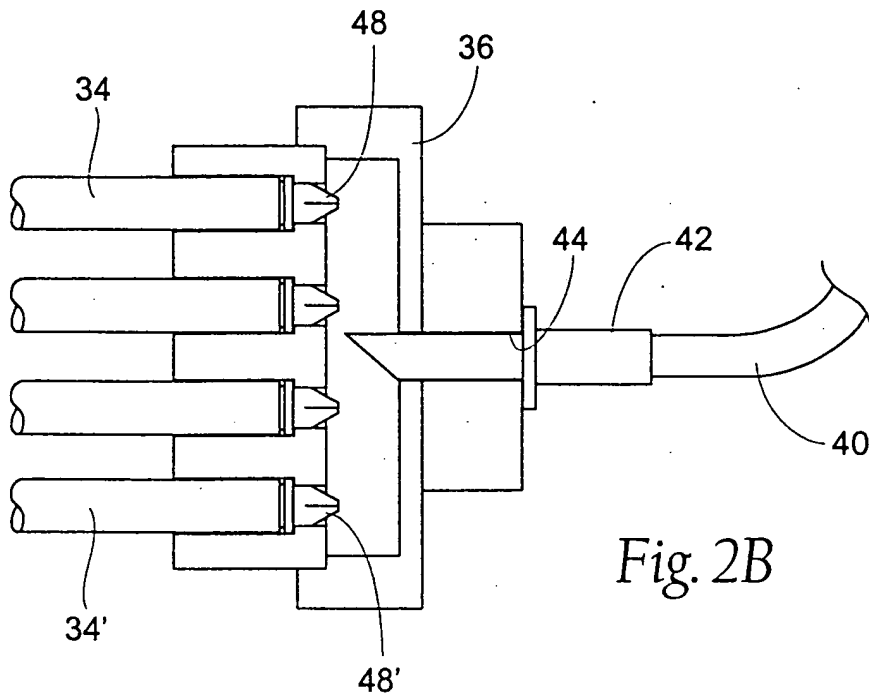
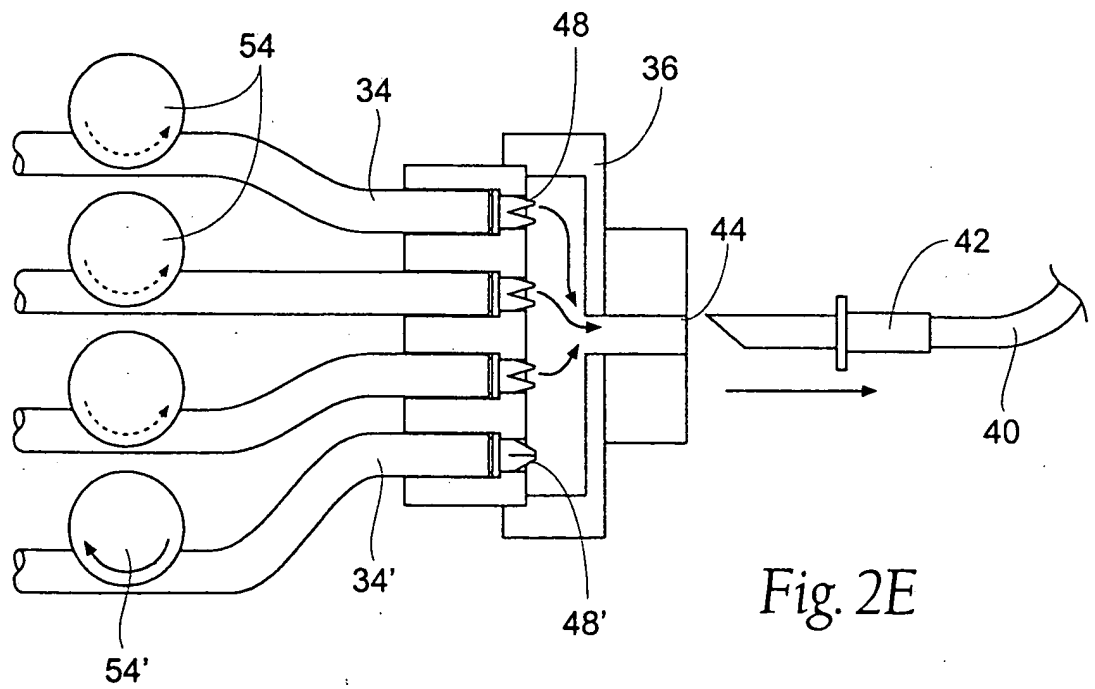
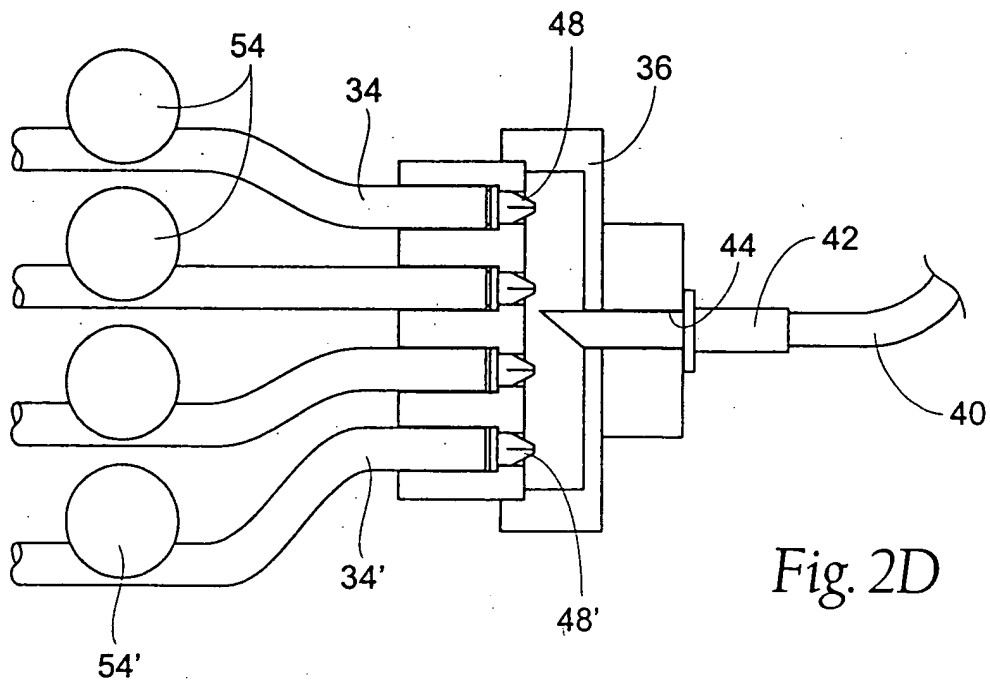


Fig. 2A





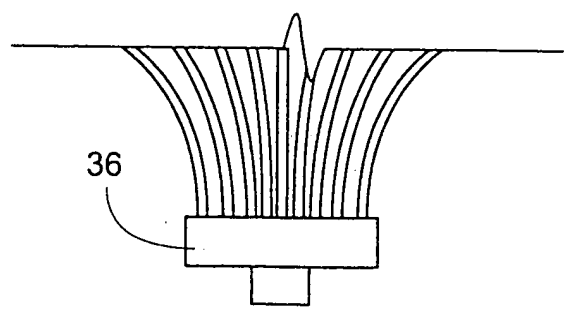
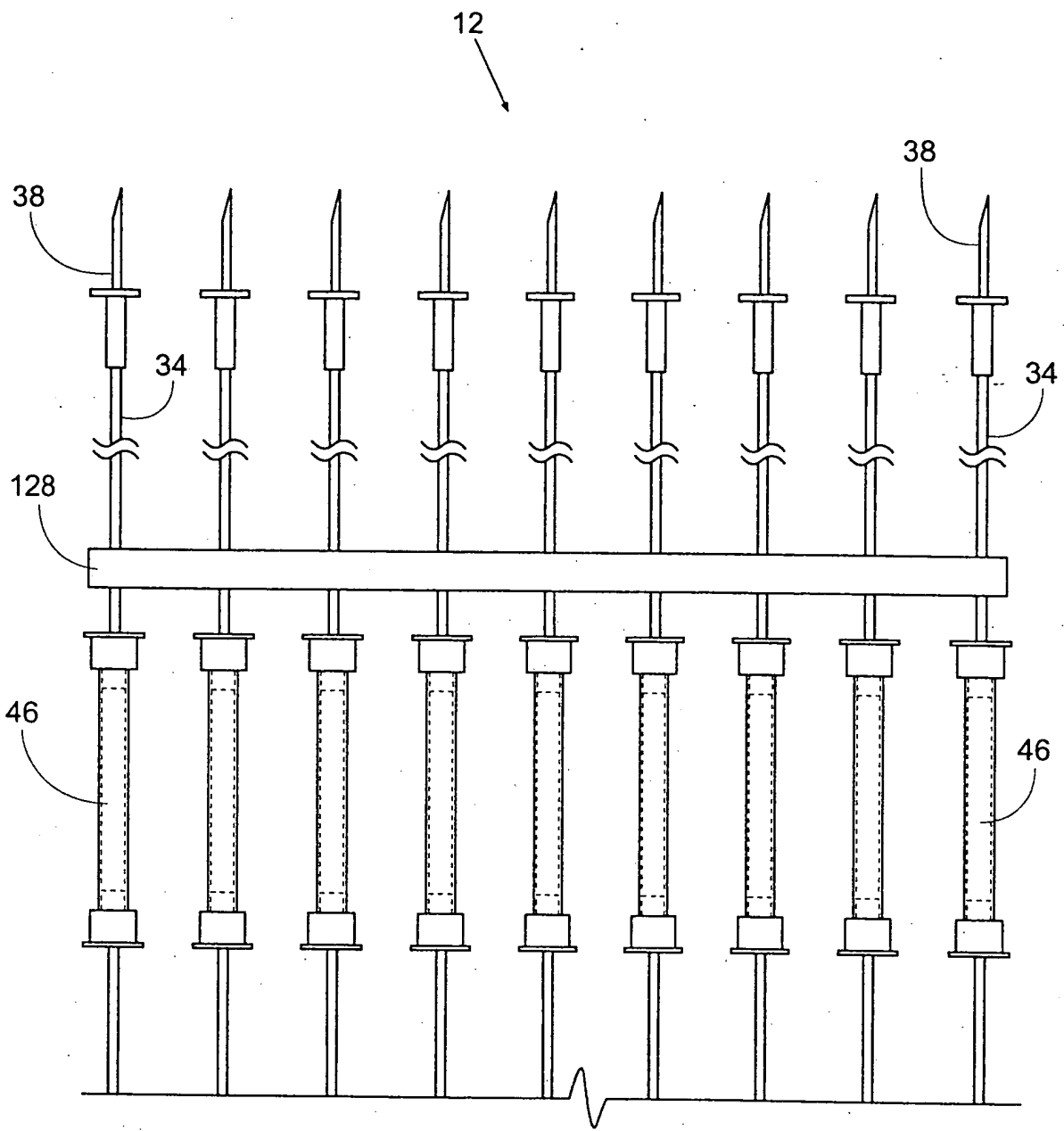


Fig. 2F

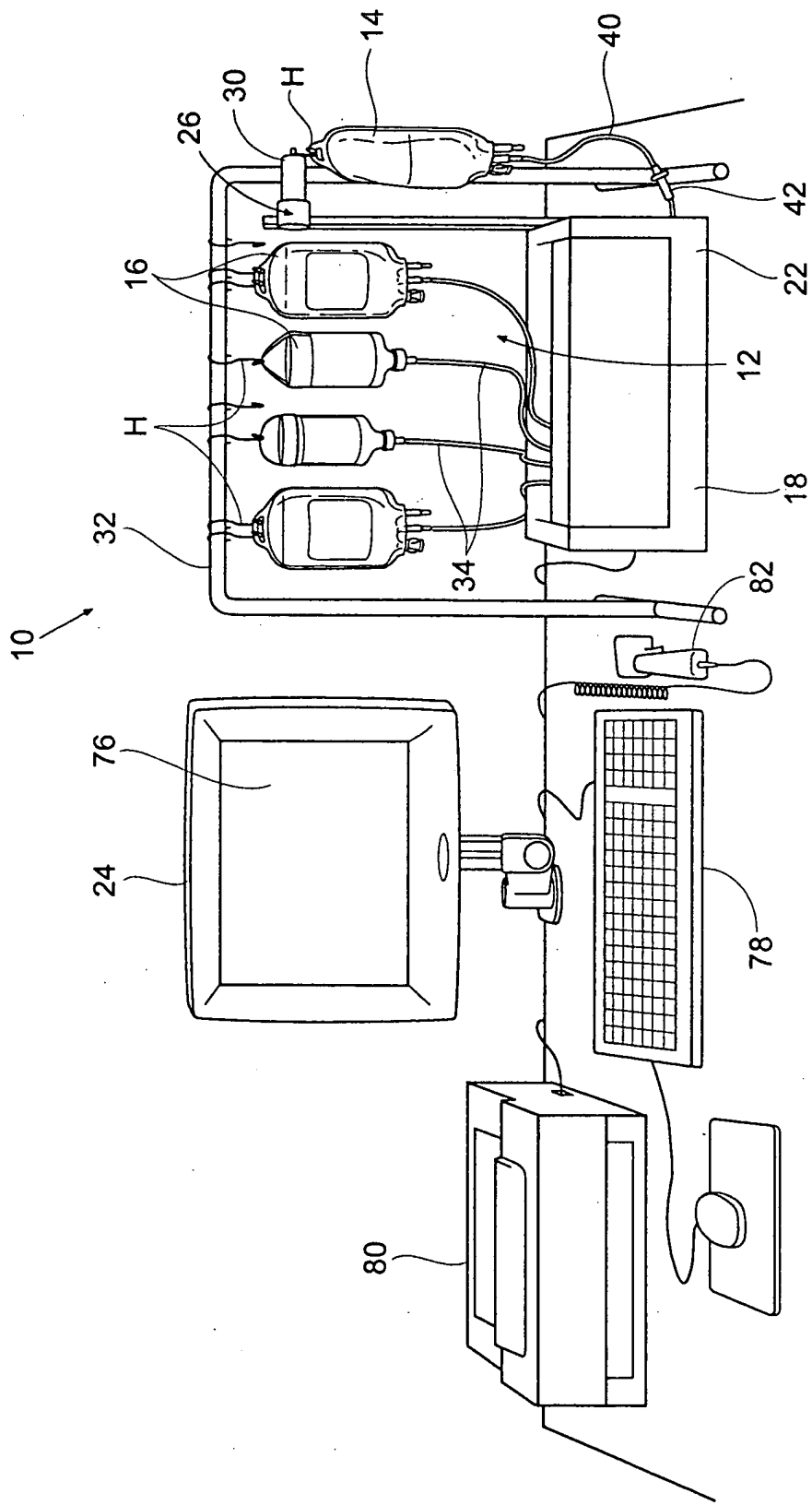


Fig. 3

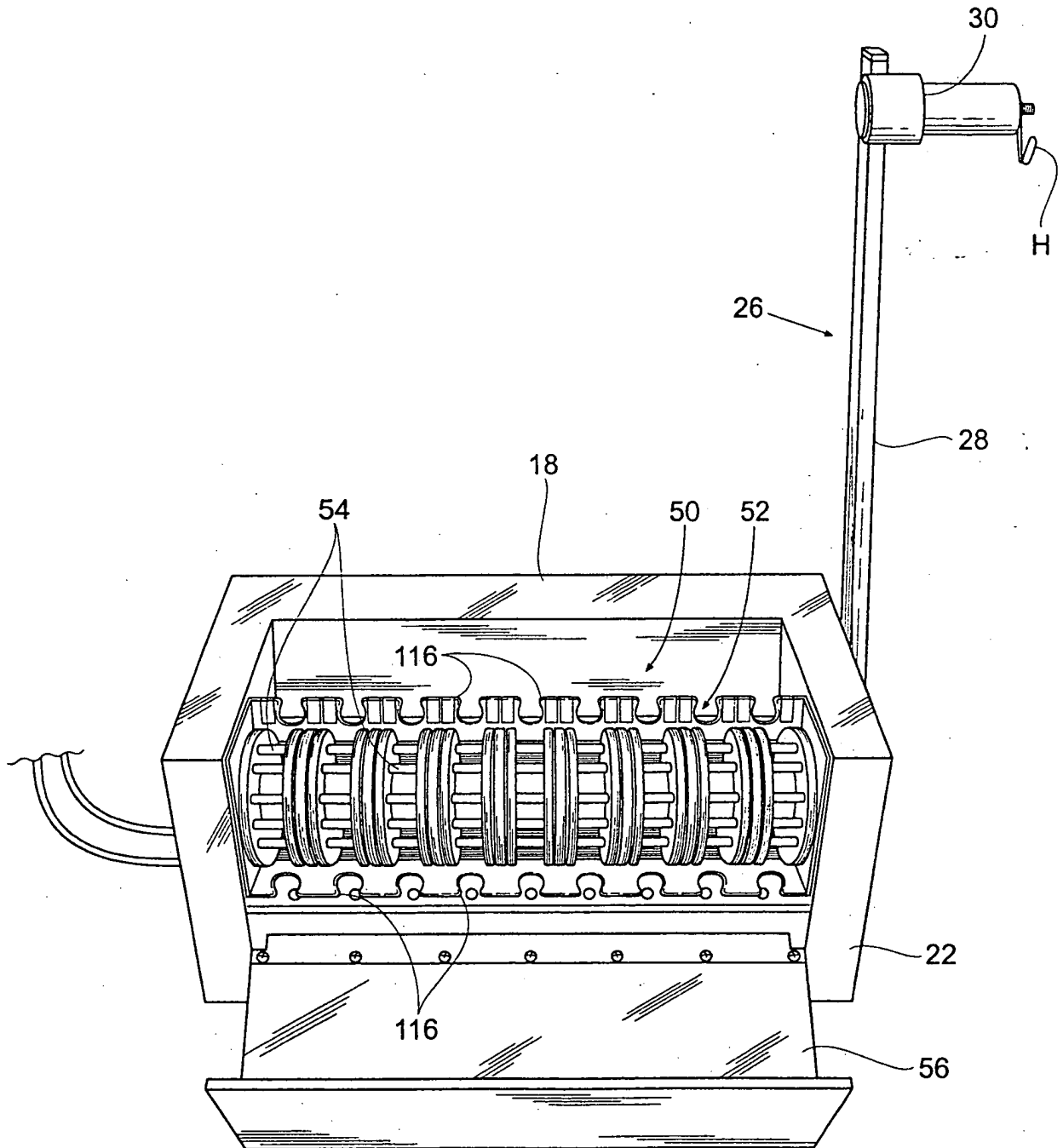


Fig. 4

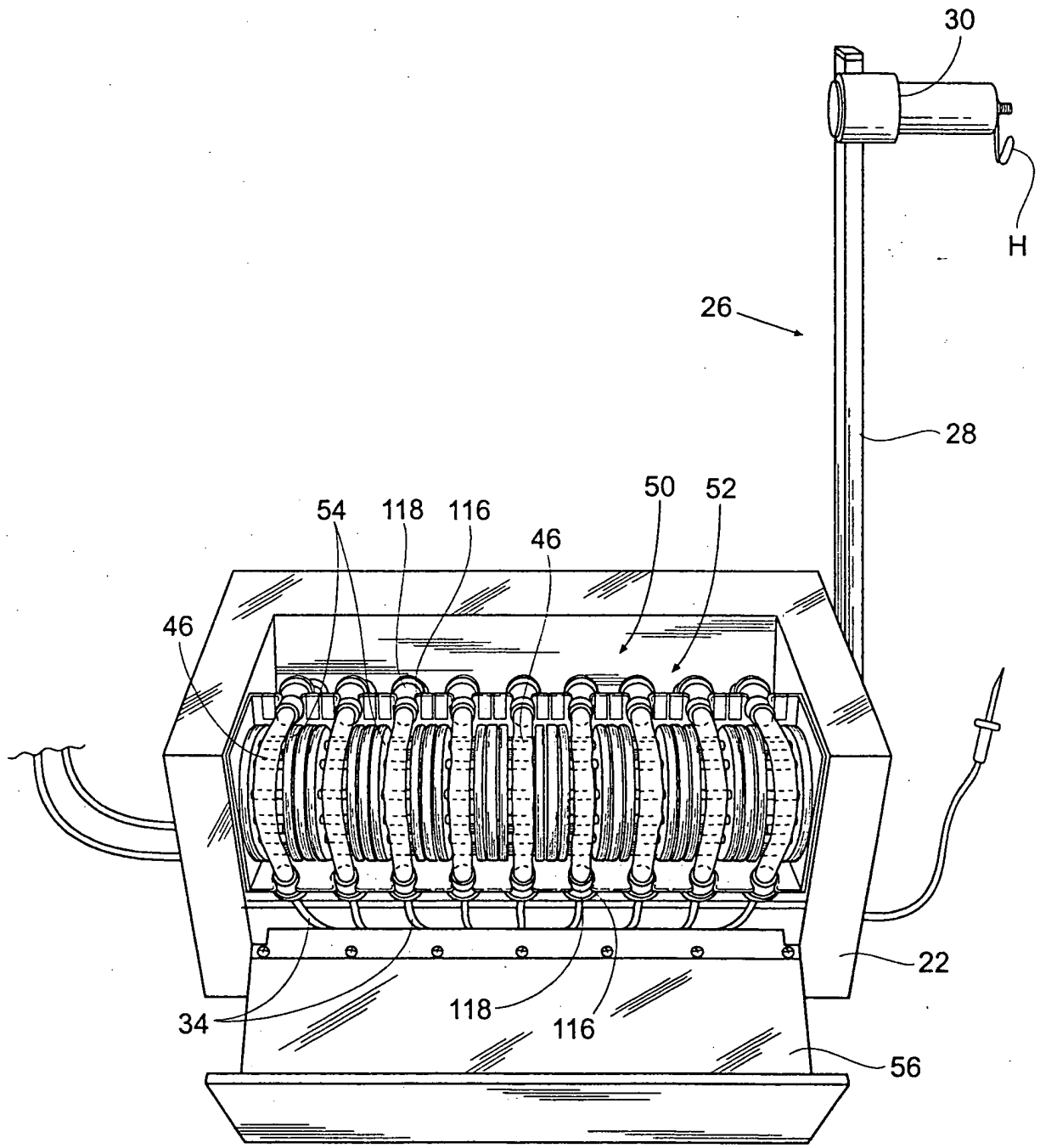


Fig. 5



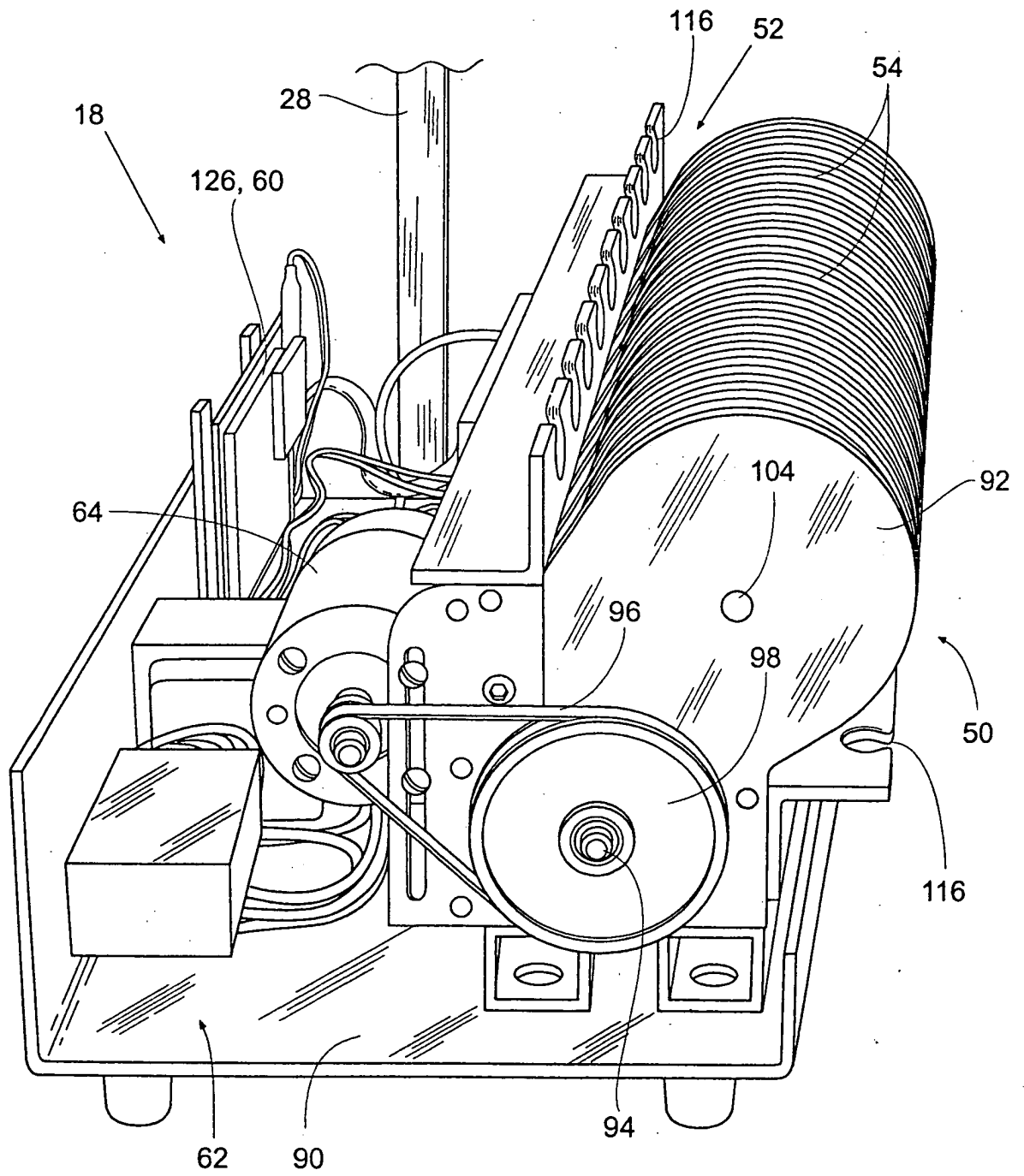


Fig. 6A

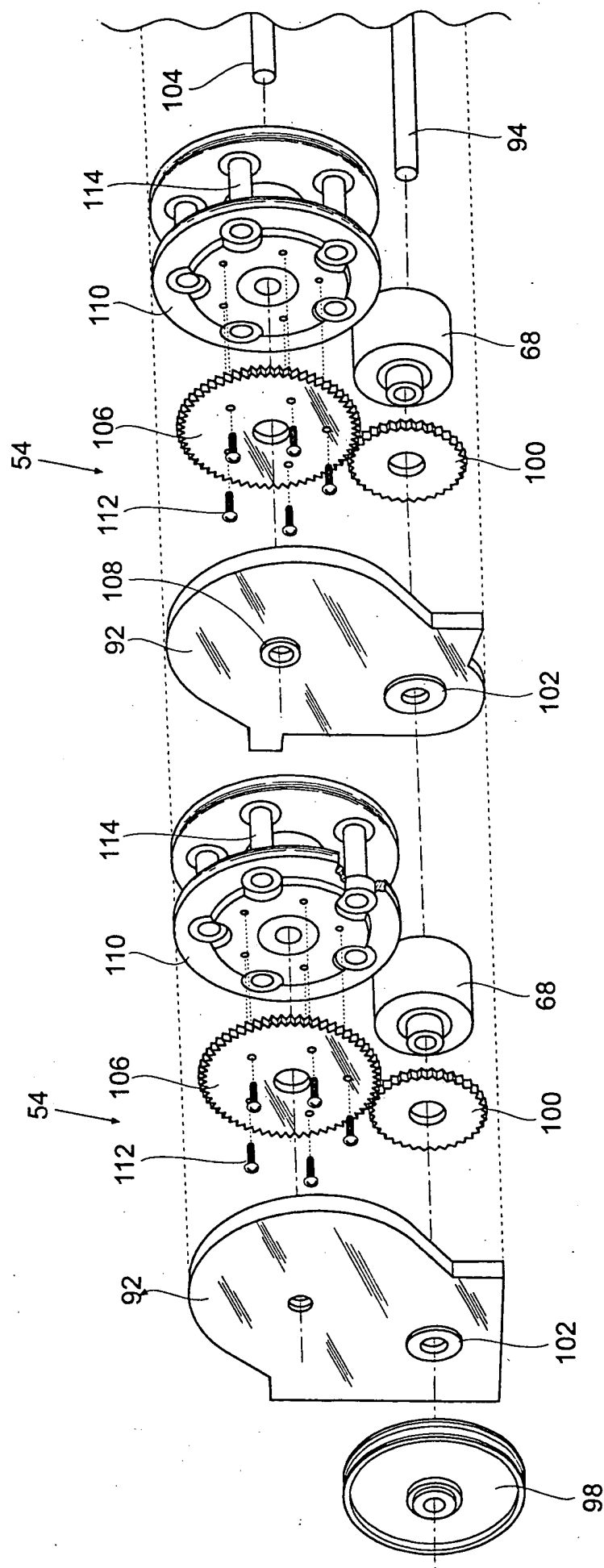


Fig. 6B

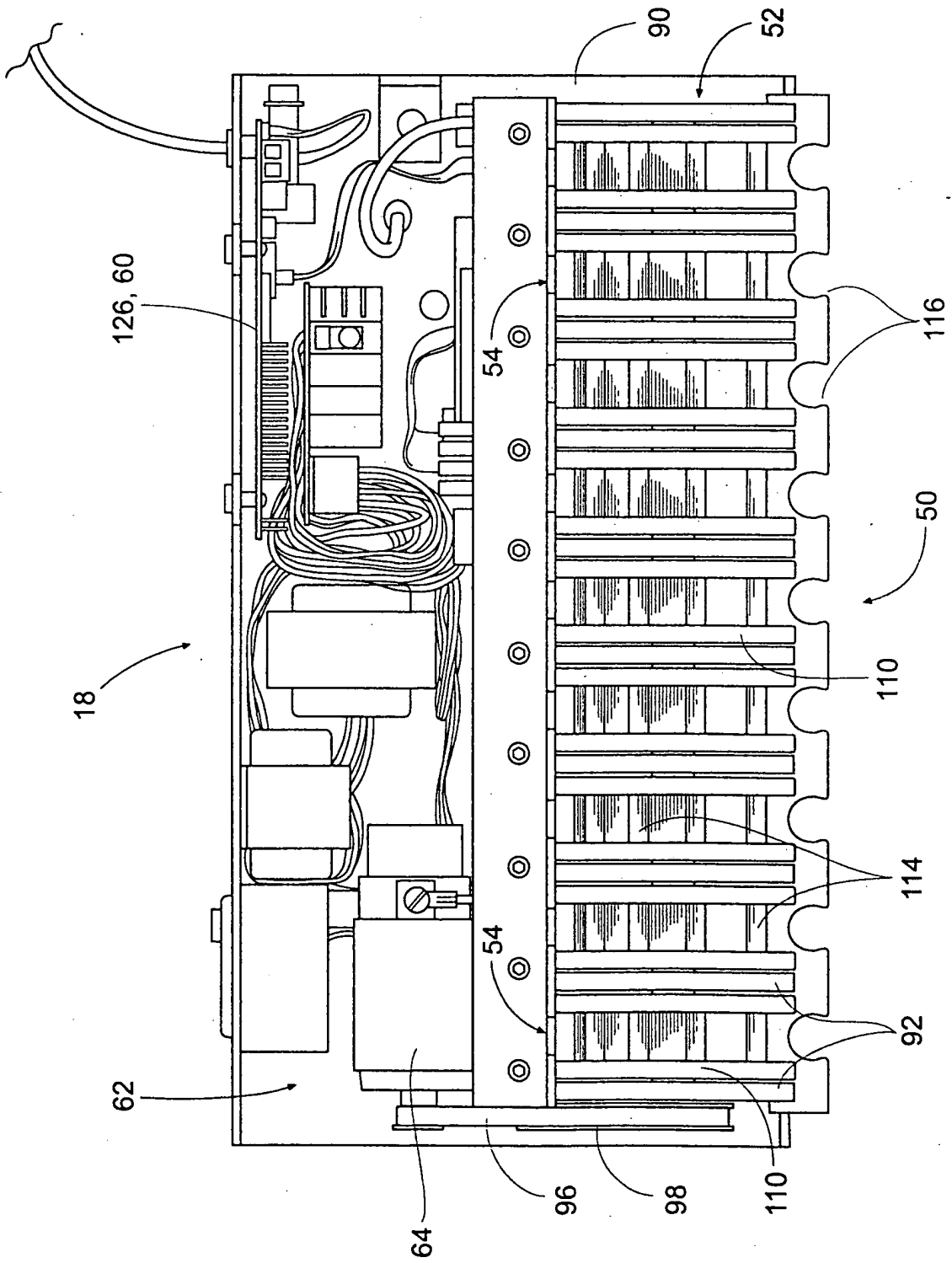


Fig. 7

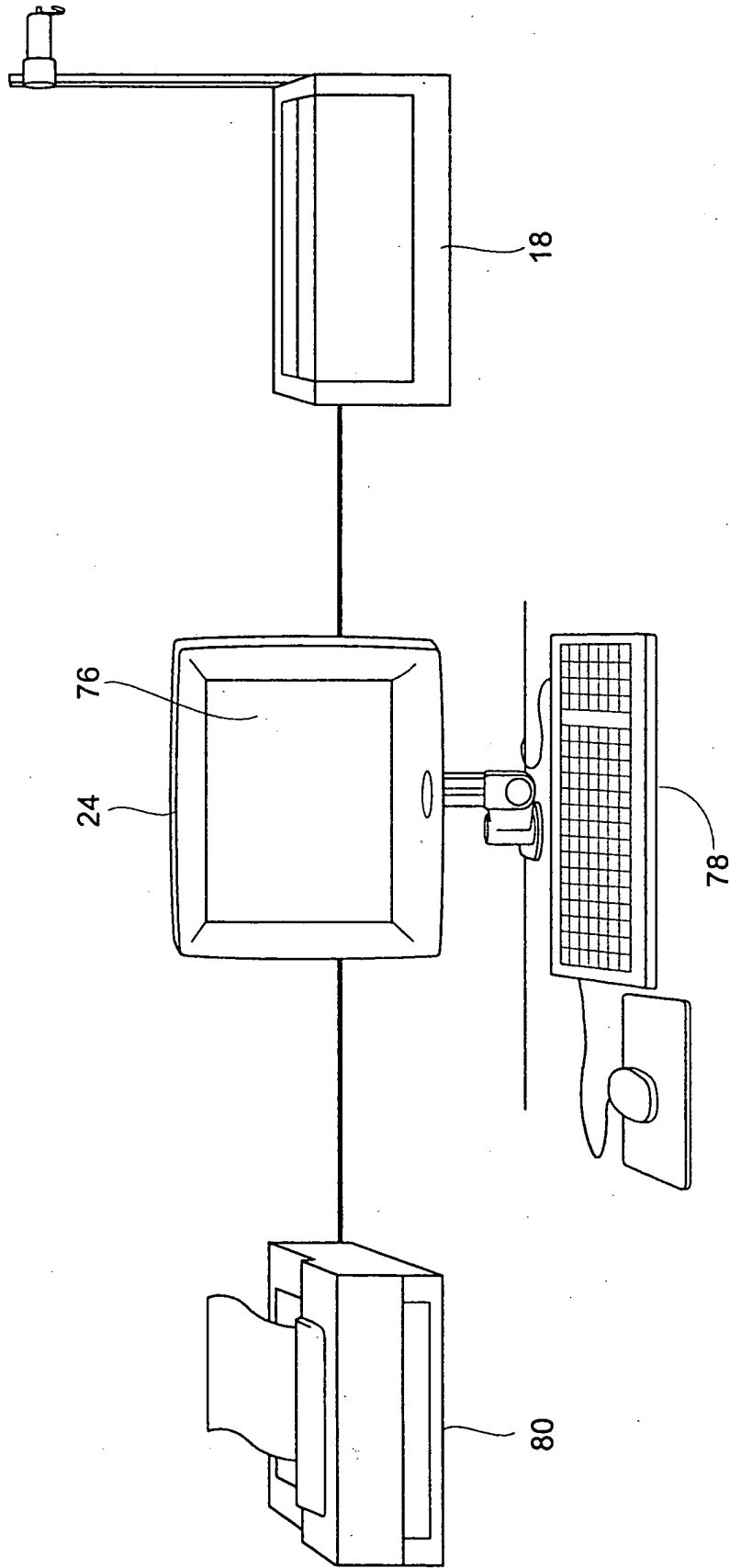


Fig. 8A

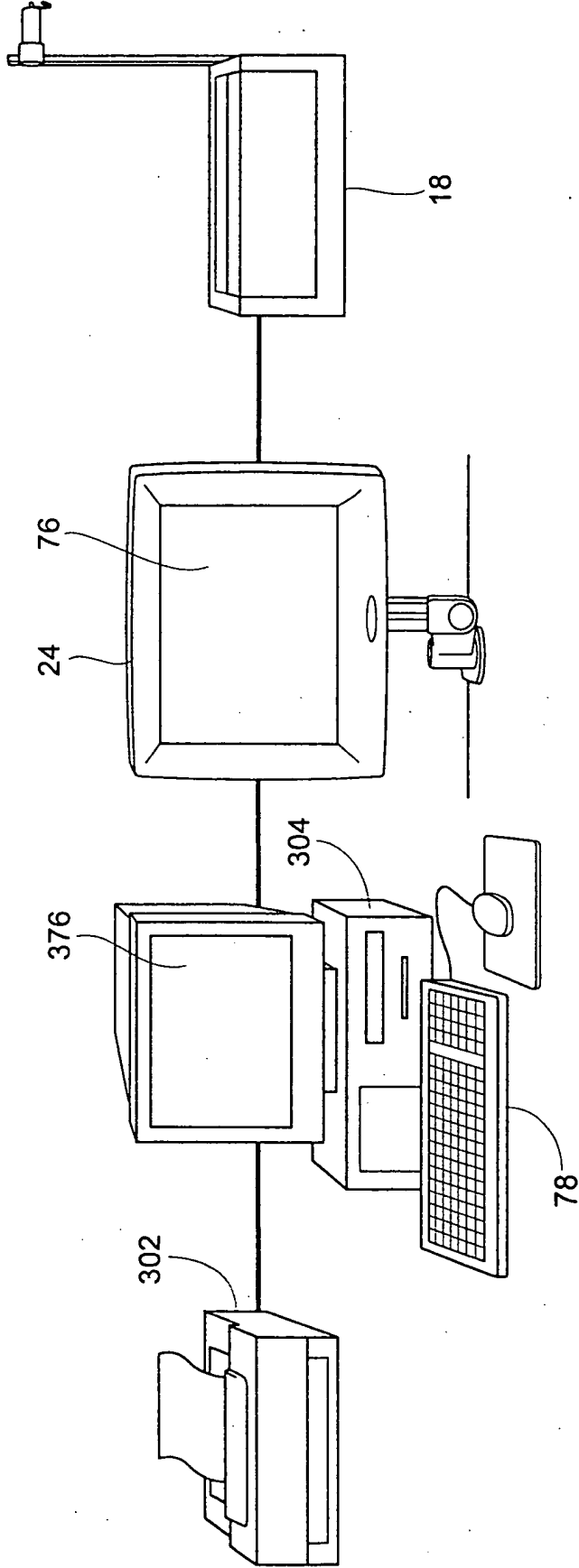


Fig. 8B

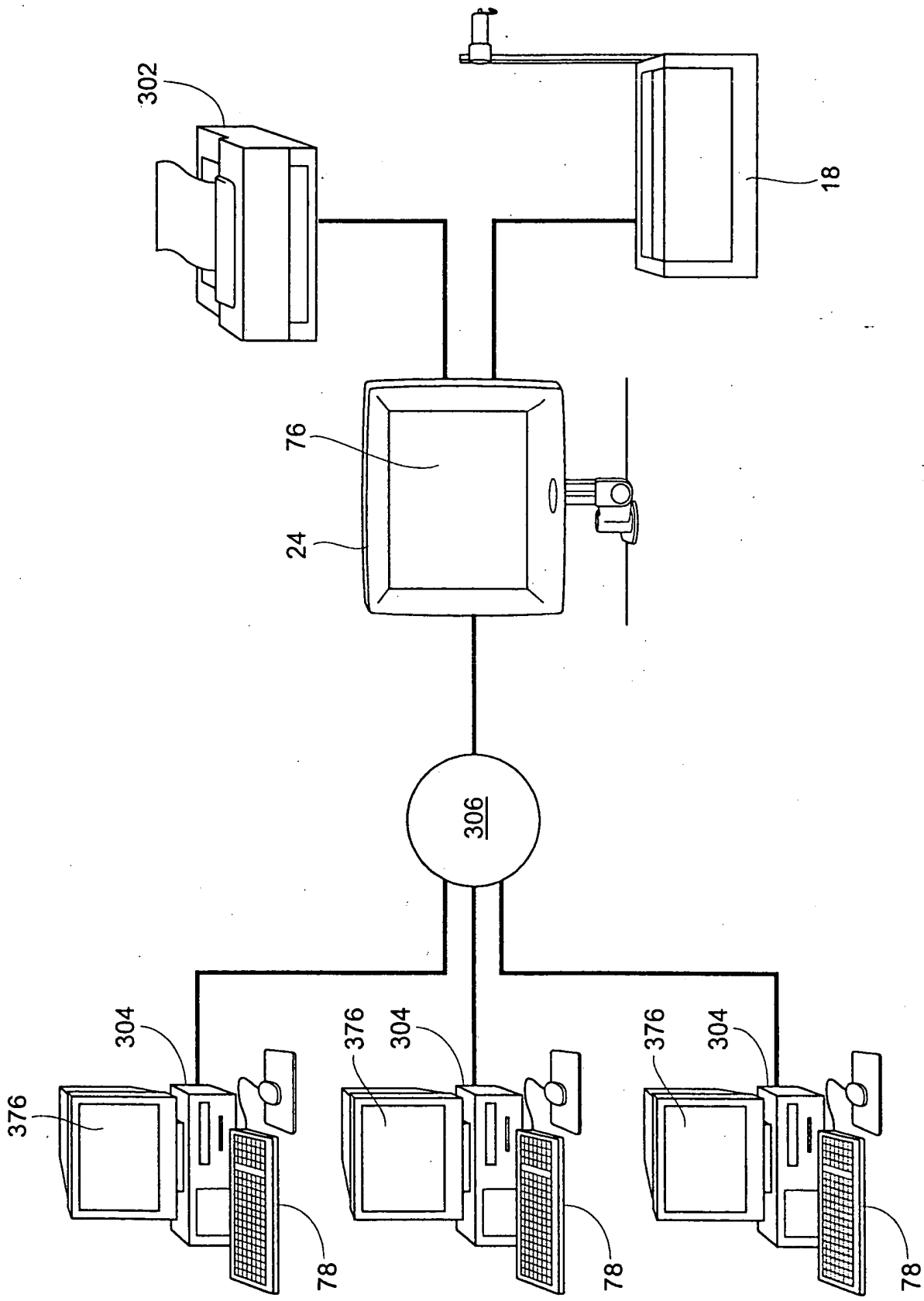


Fig. 8C

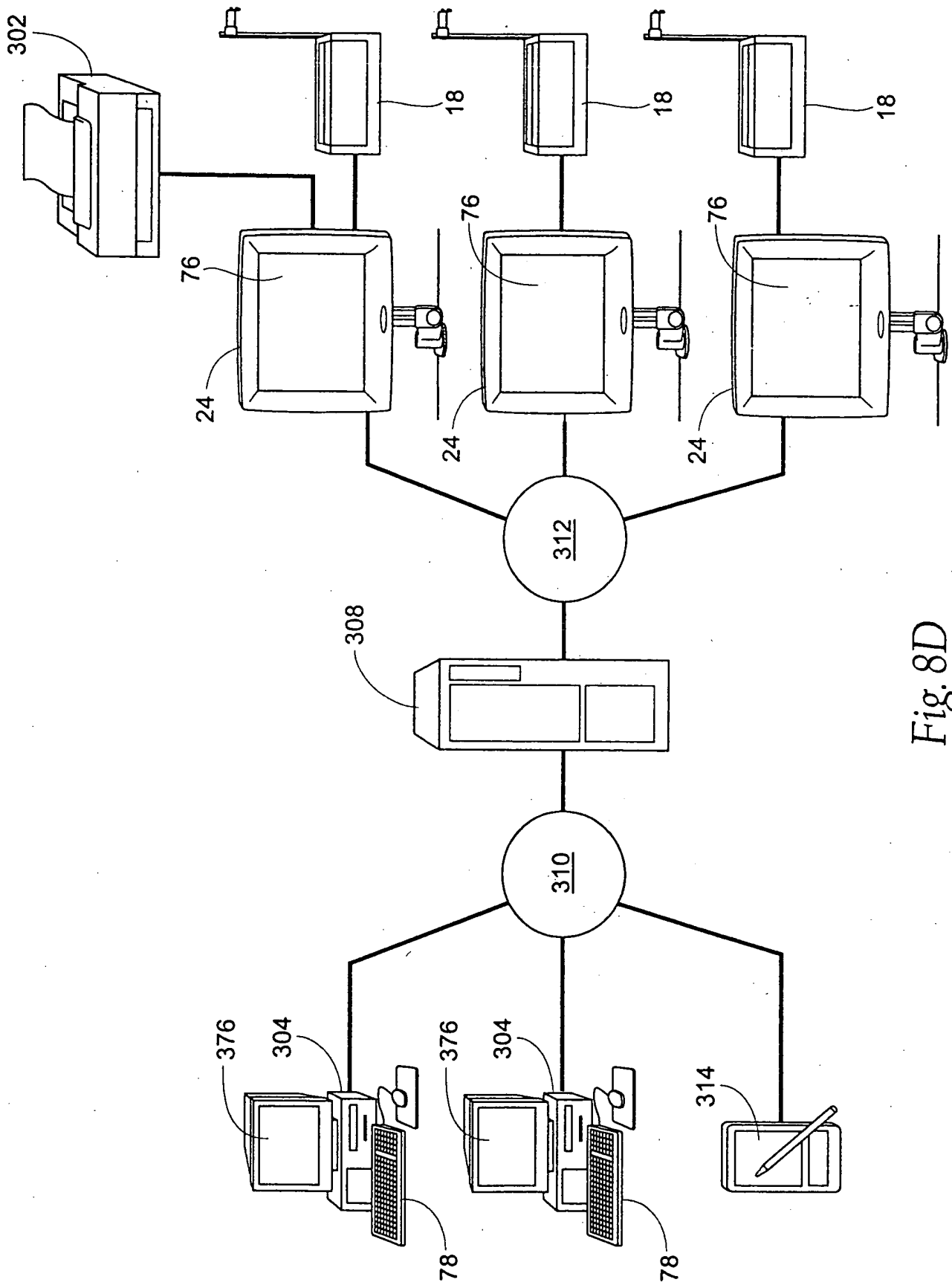


Fig. 8D

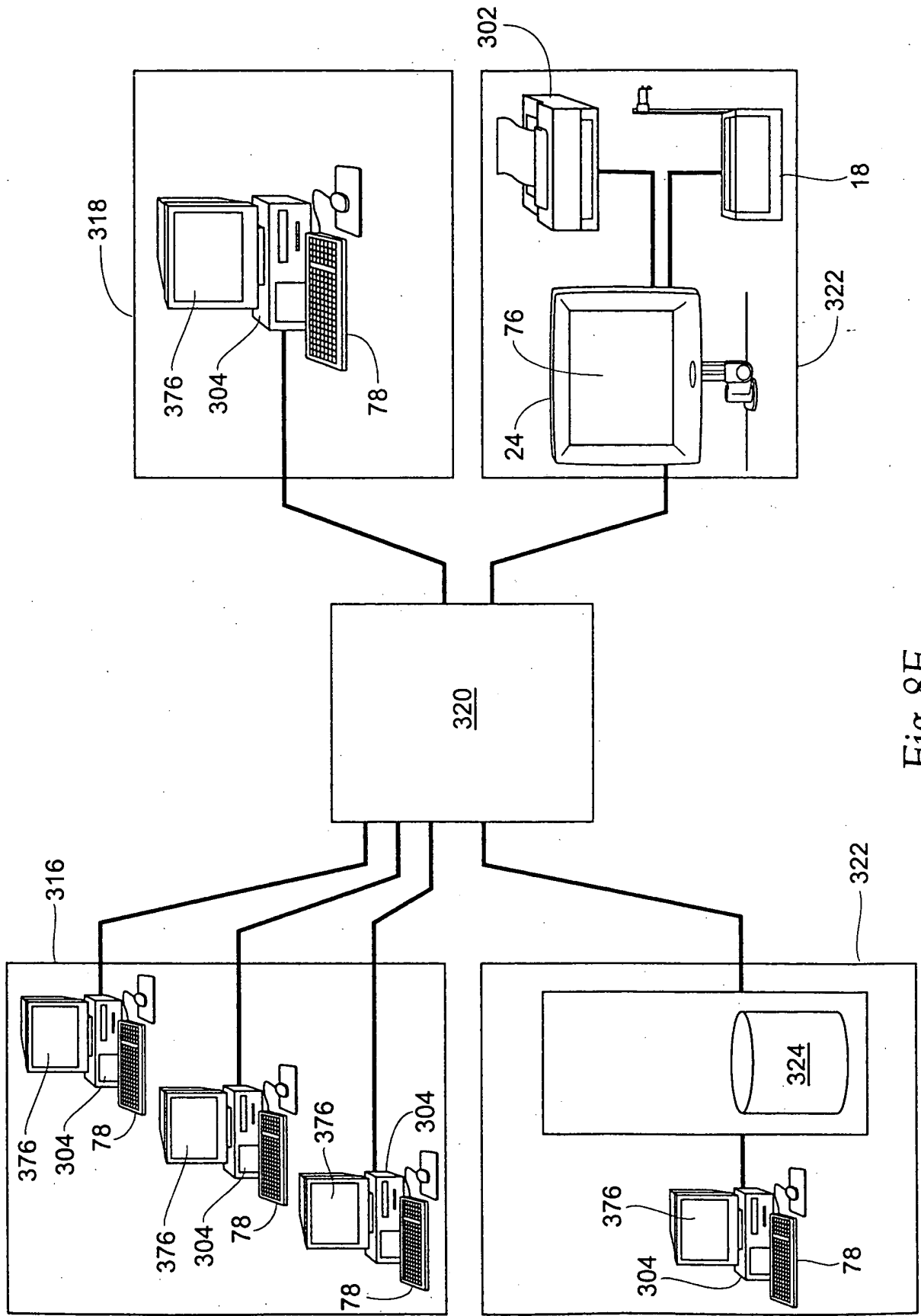


Fig. 8E



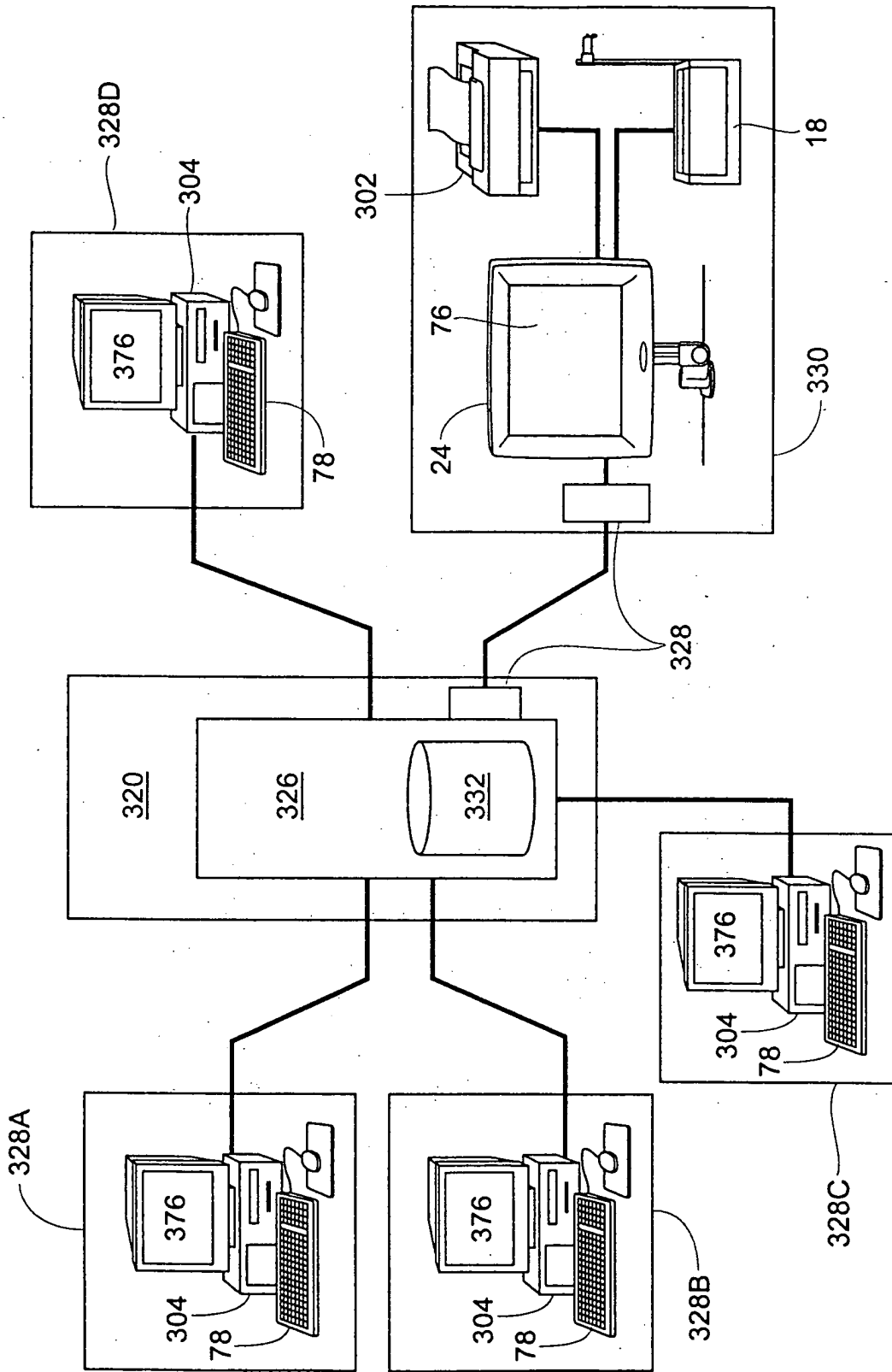


Fig. 8F

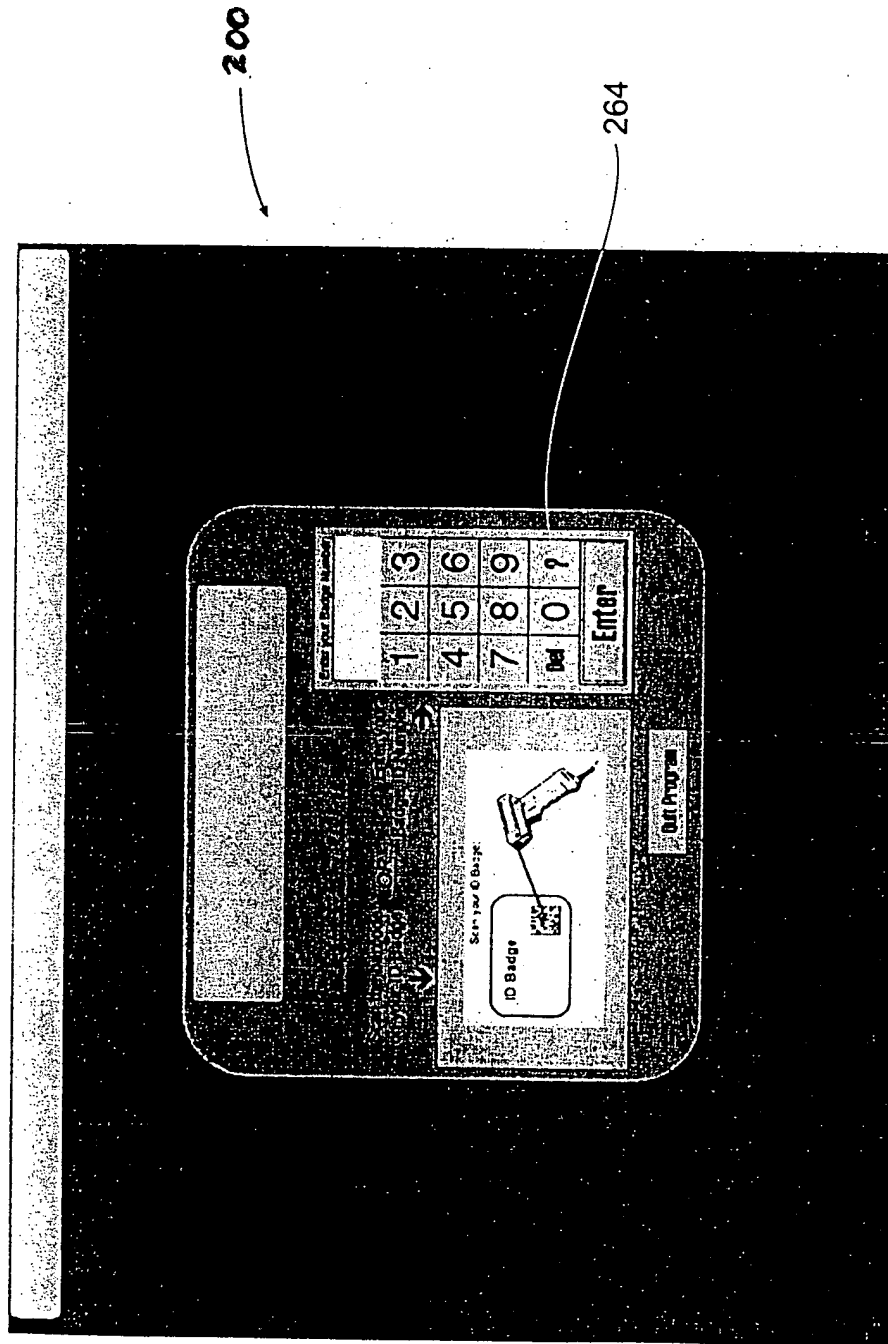


Fig. 9A

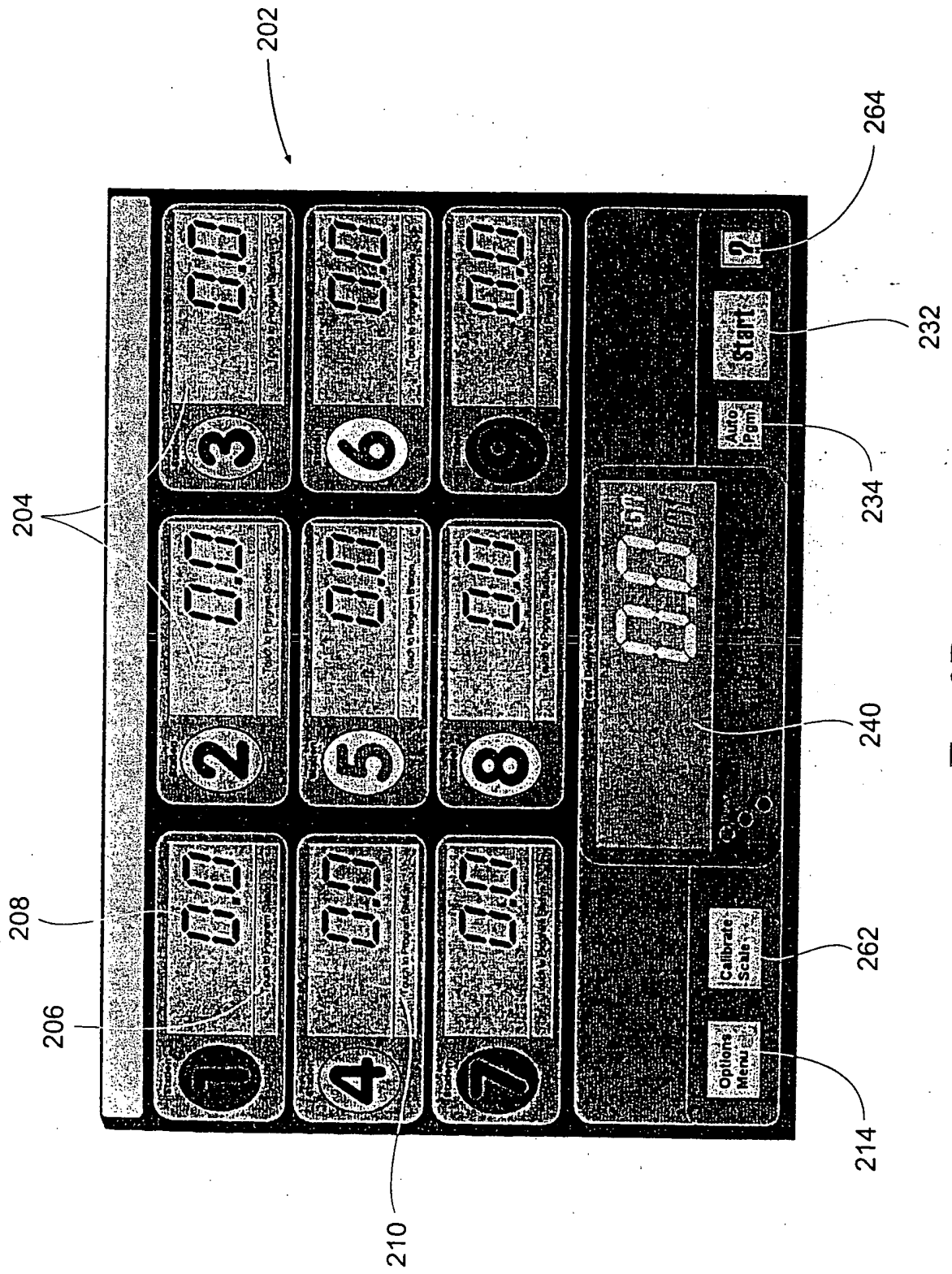


Fig. 9B

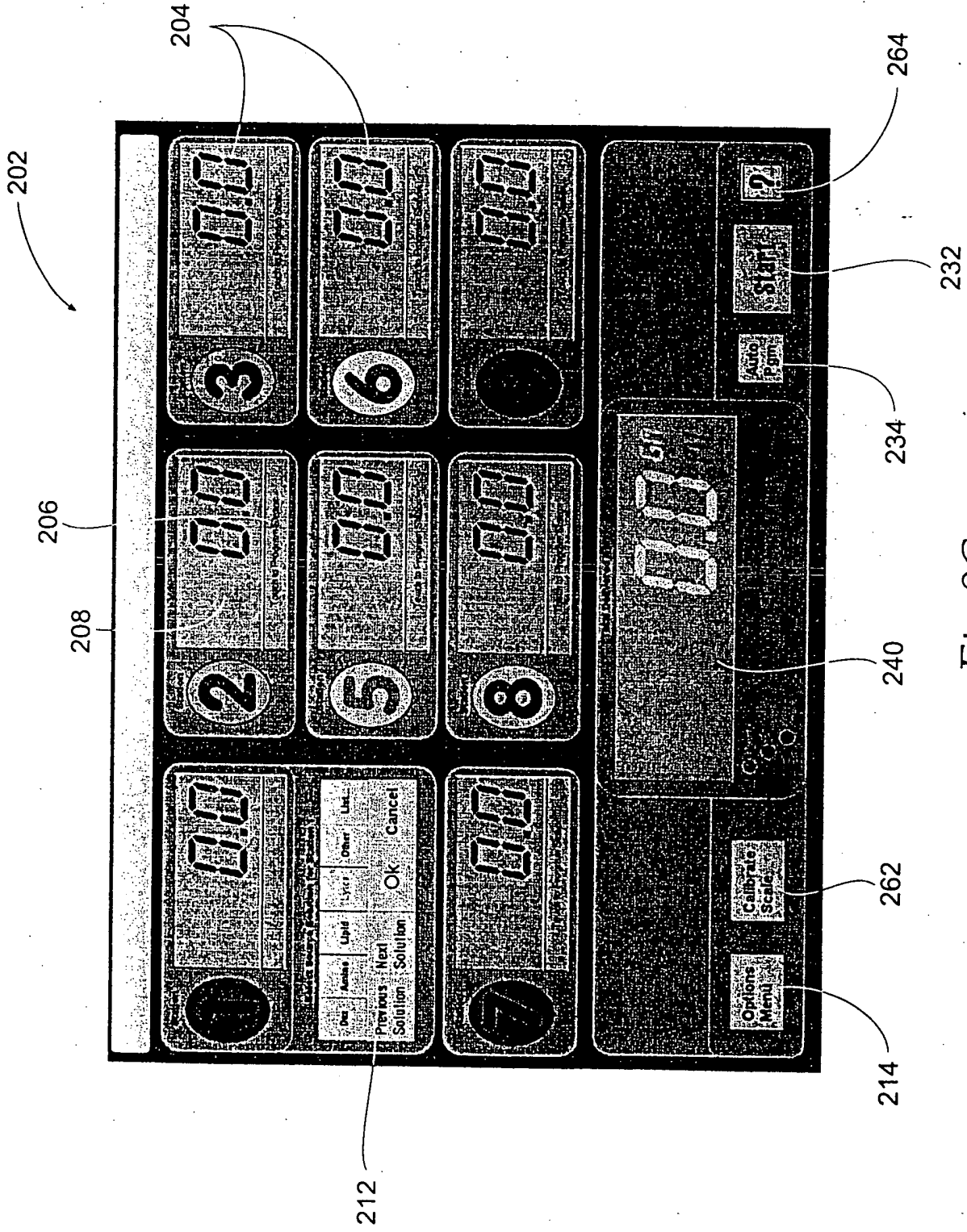


Fig. 9C

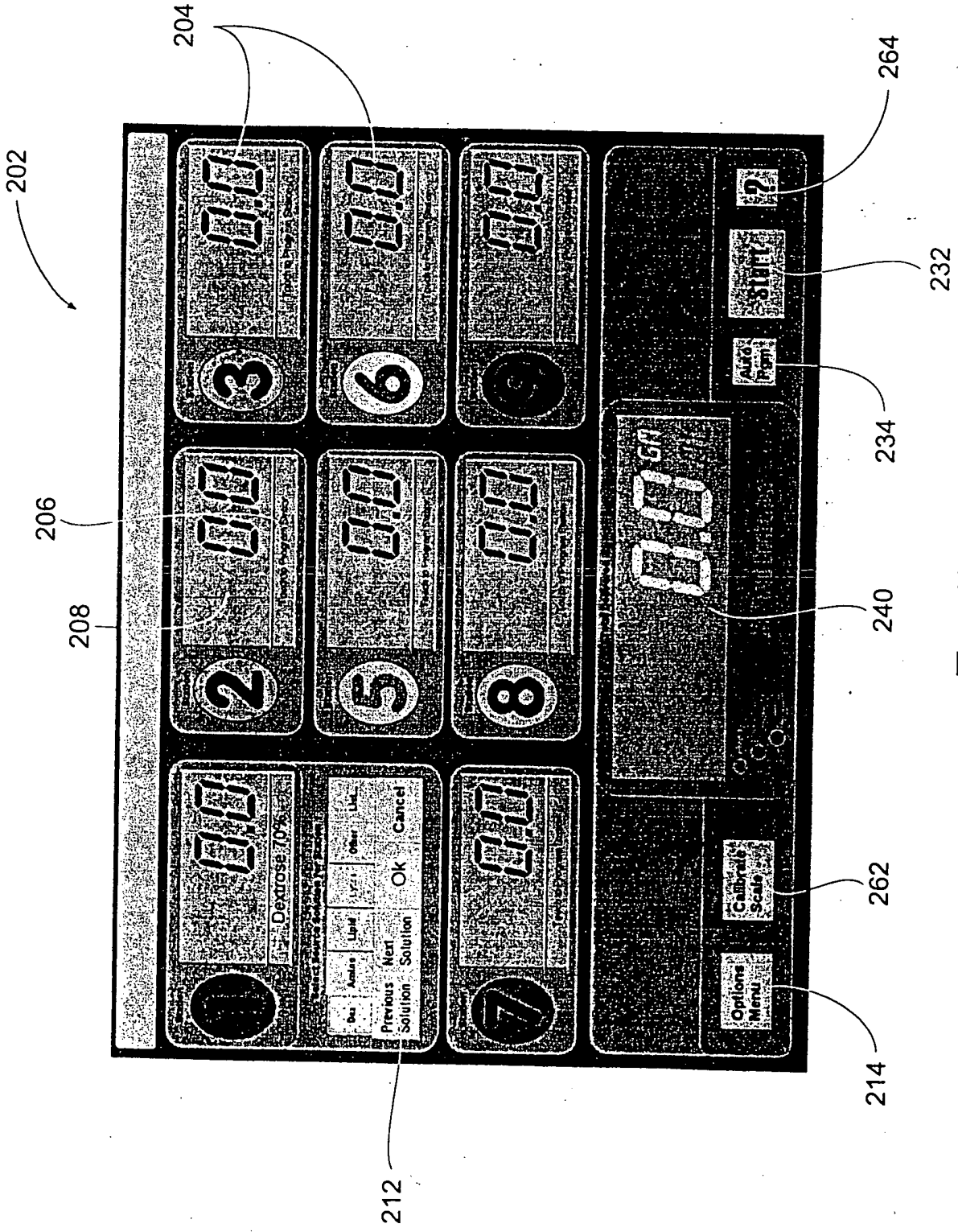
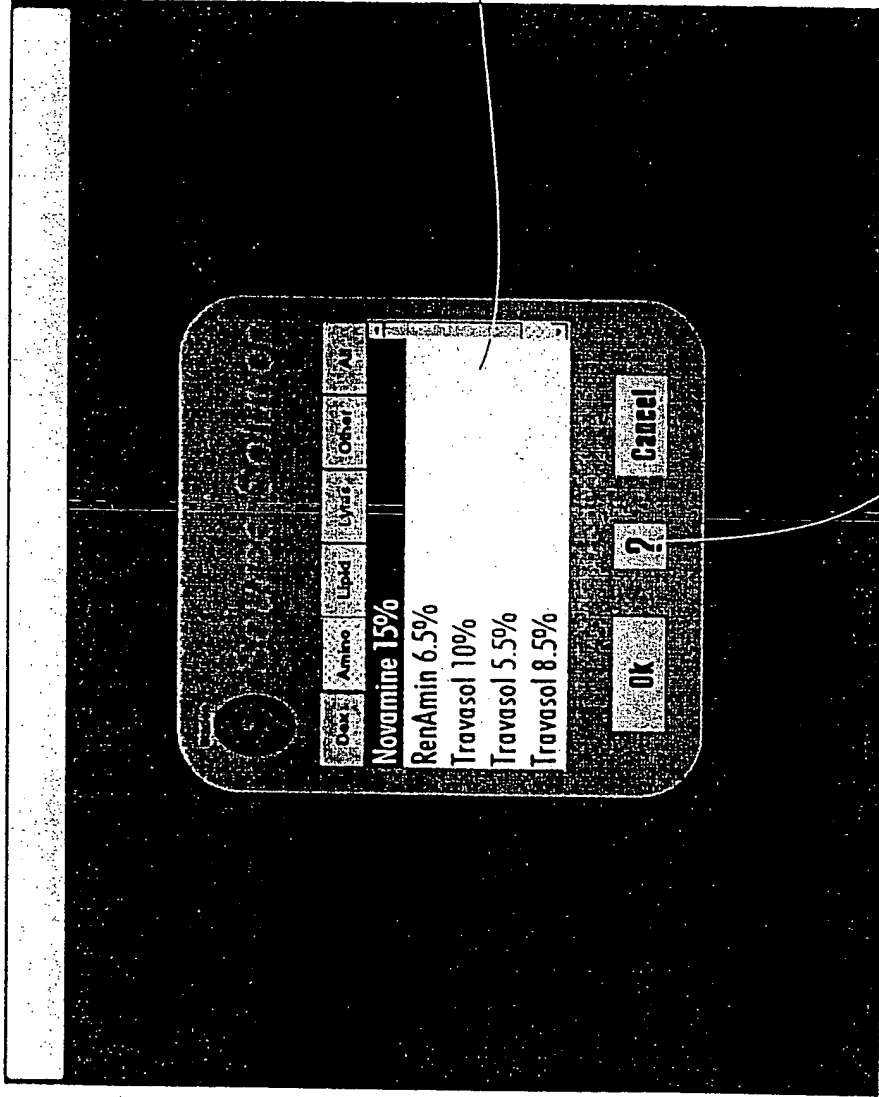


Fig. 9D

202



216

264

Fig. 9E

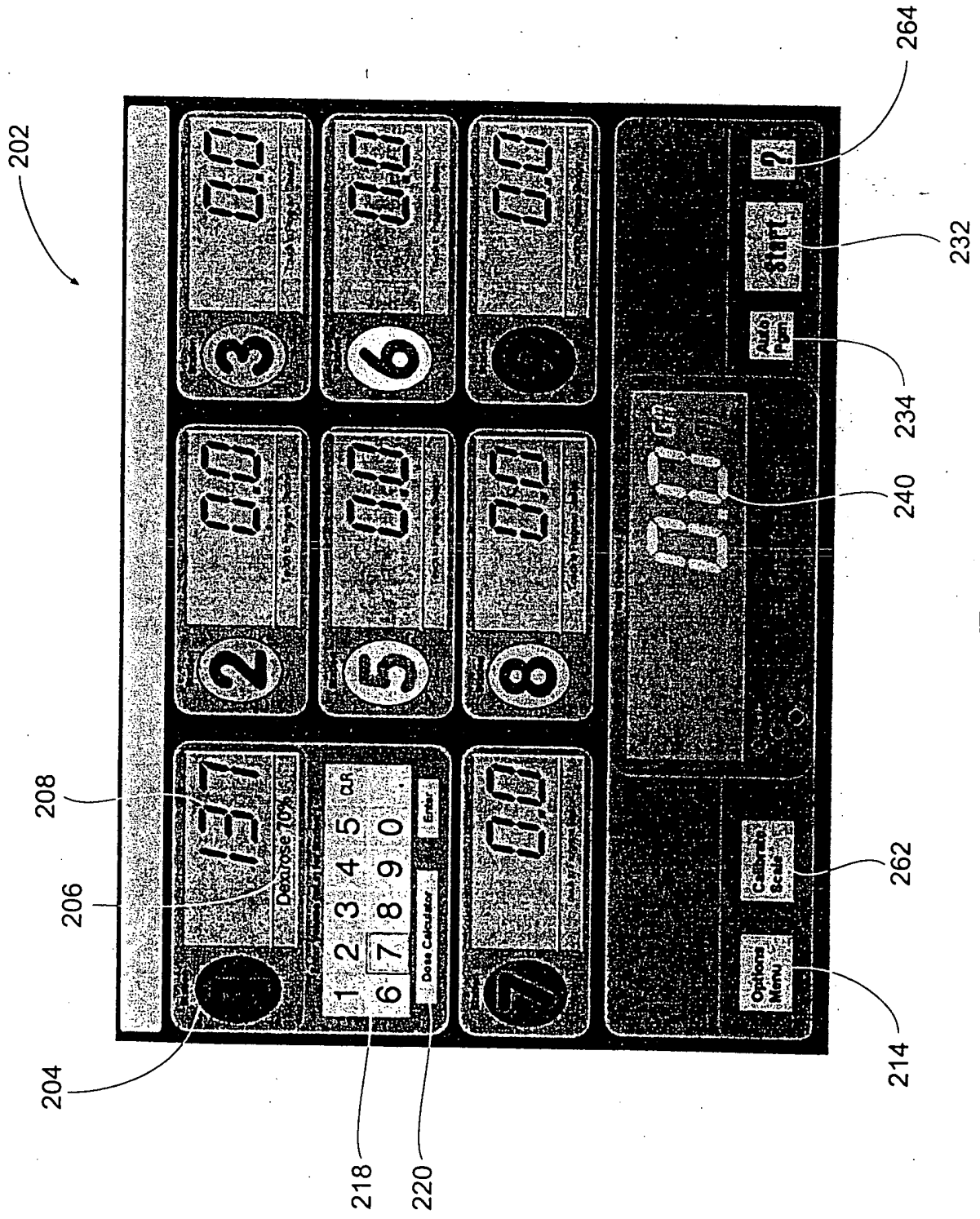


Fig. 9F

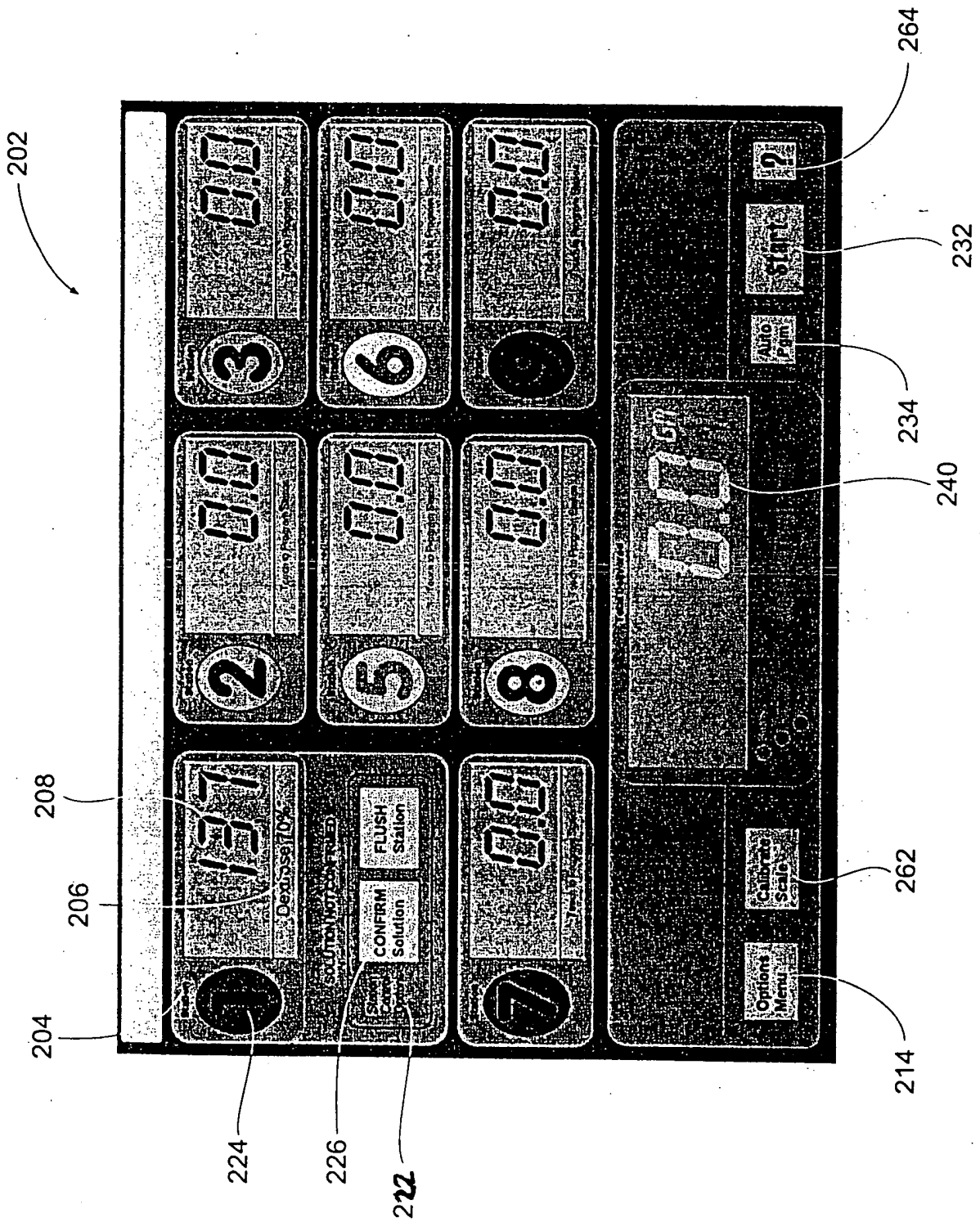


Fig. 9G



902

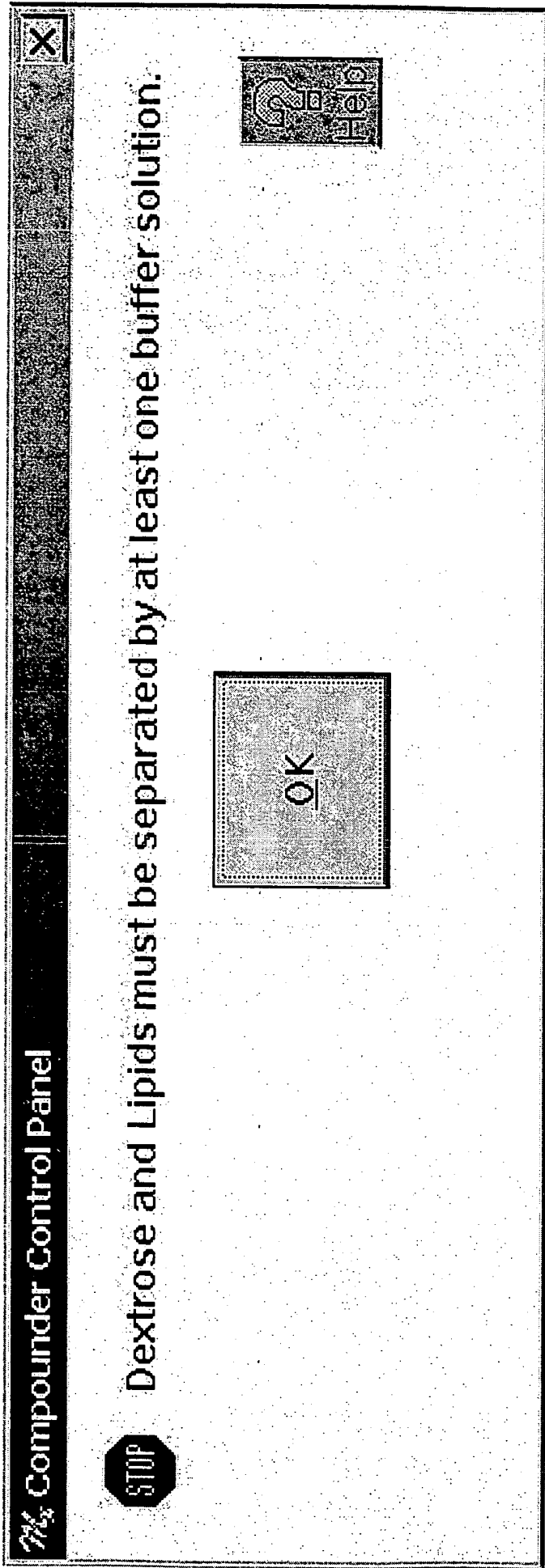


FIG. 96(1)

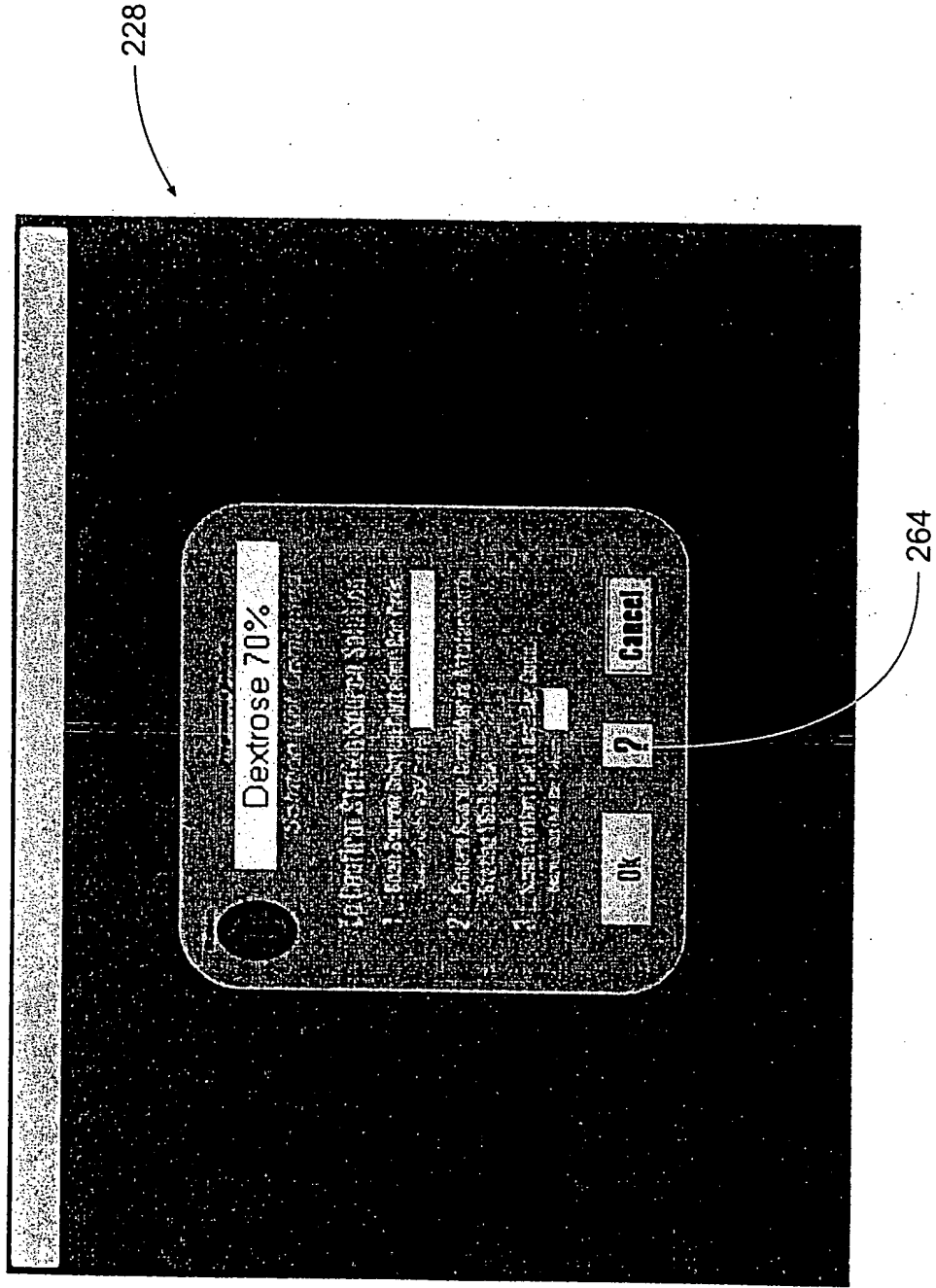


Fig. 9H

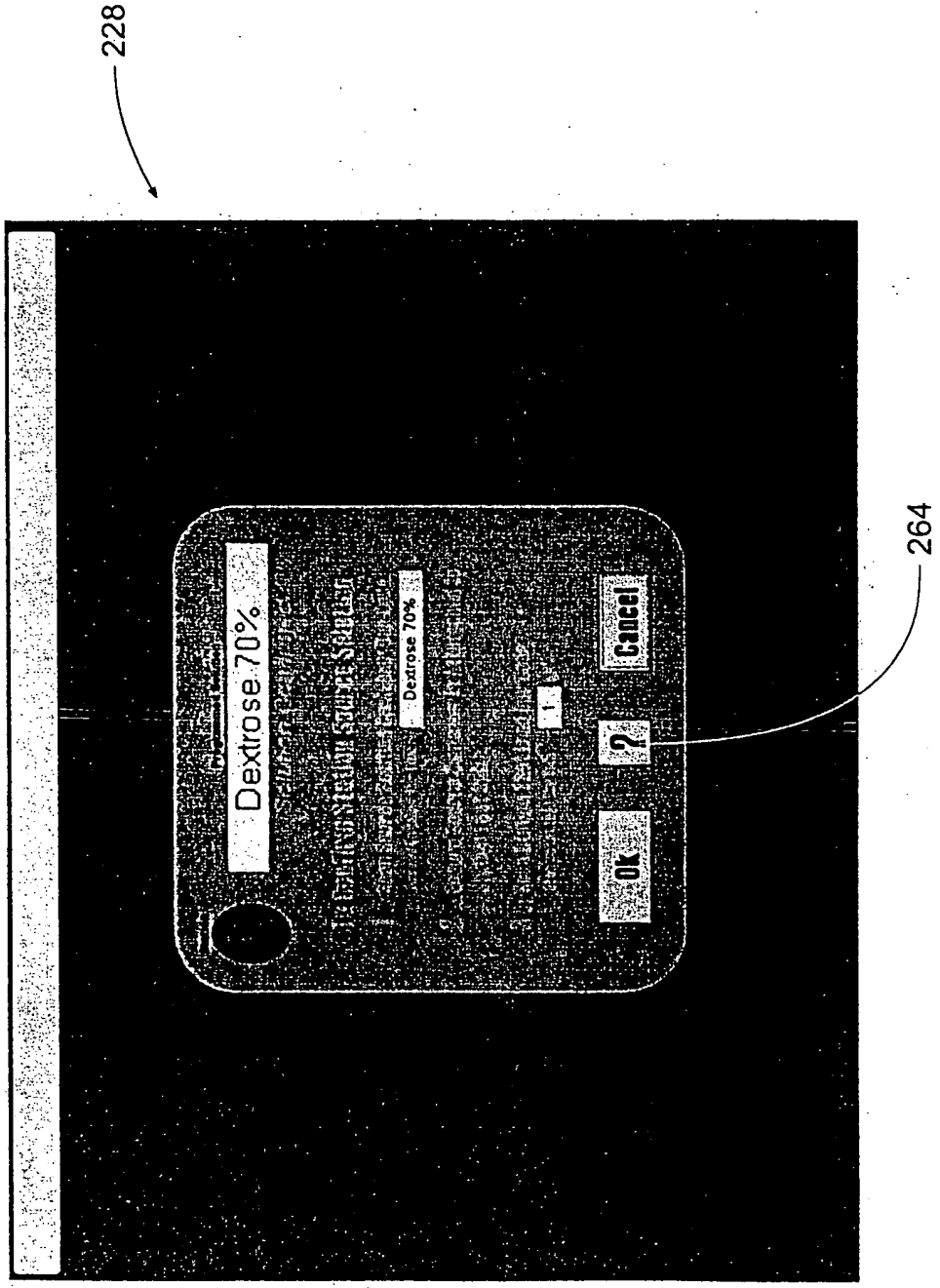


Fig. 9I(1)

✓ 900

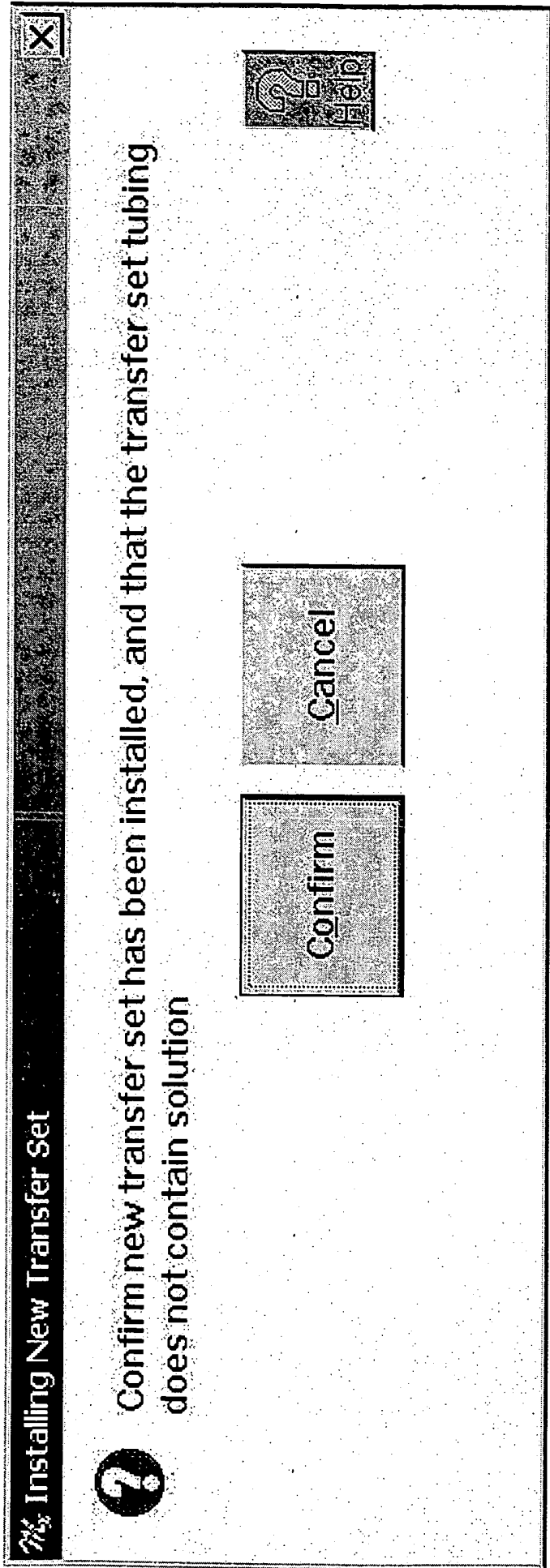


FIG 9 I (2)

904

## Source Solution Set Up

Select the source solution set-up to use

**Default  
Solution Set**

**Last Setup  
Used**

**Clear All  
Stations**

Check this box if a new transfer set is installed and the transfer set tubing is completely empty of solution

**Cancel**

**?**

**OK**

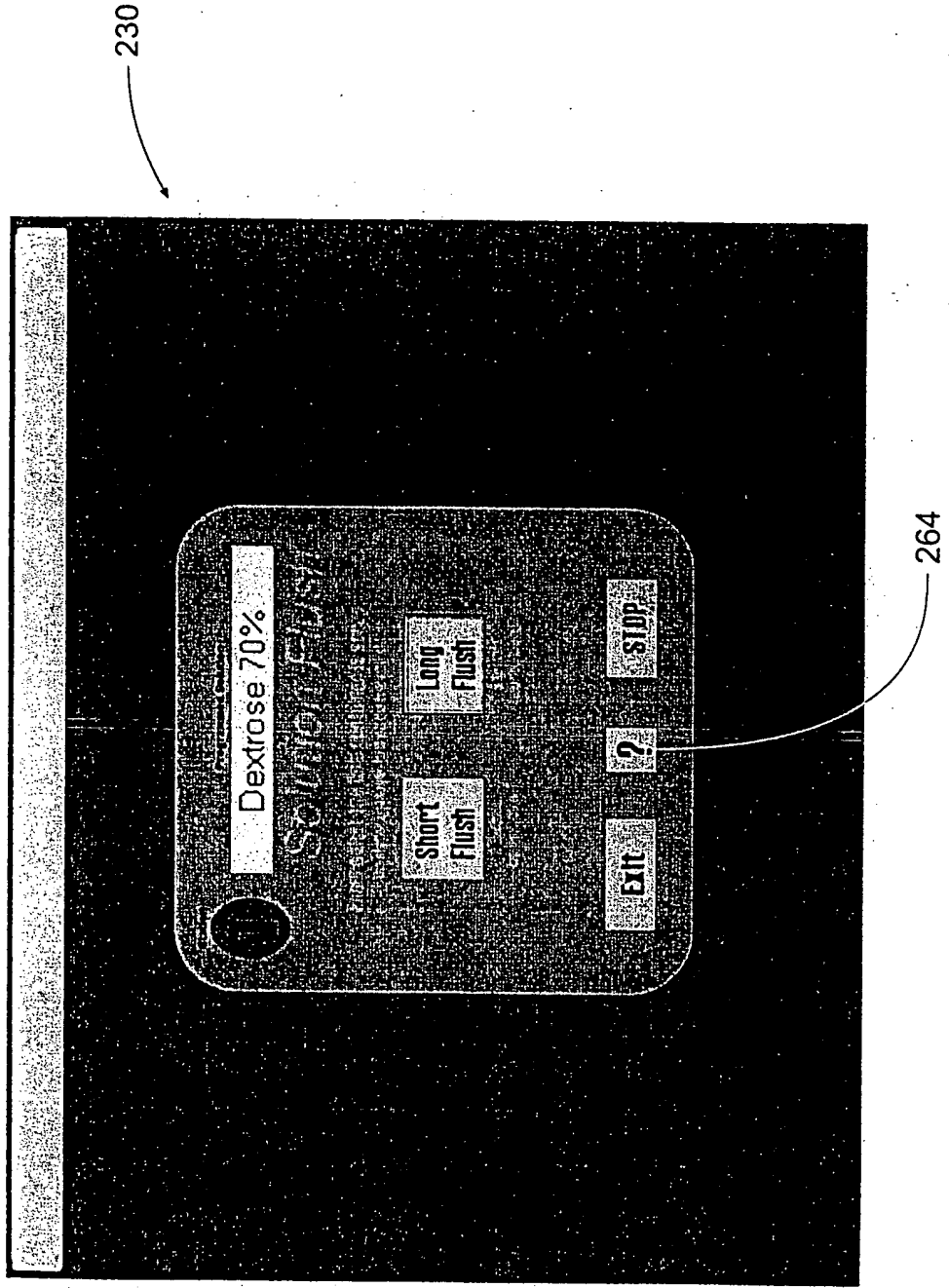


Fig. 9J

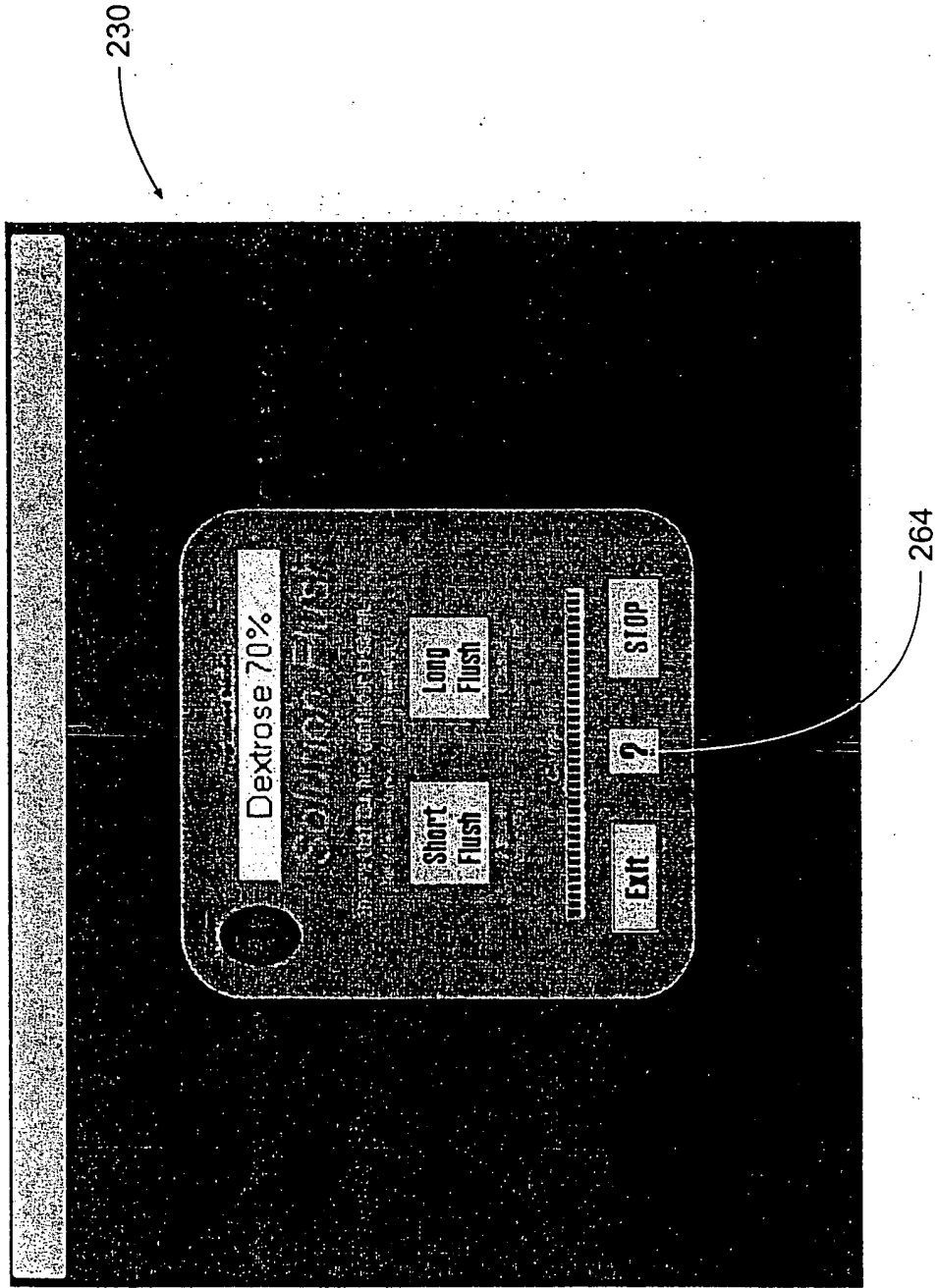


Fig. 9K

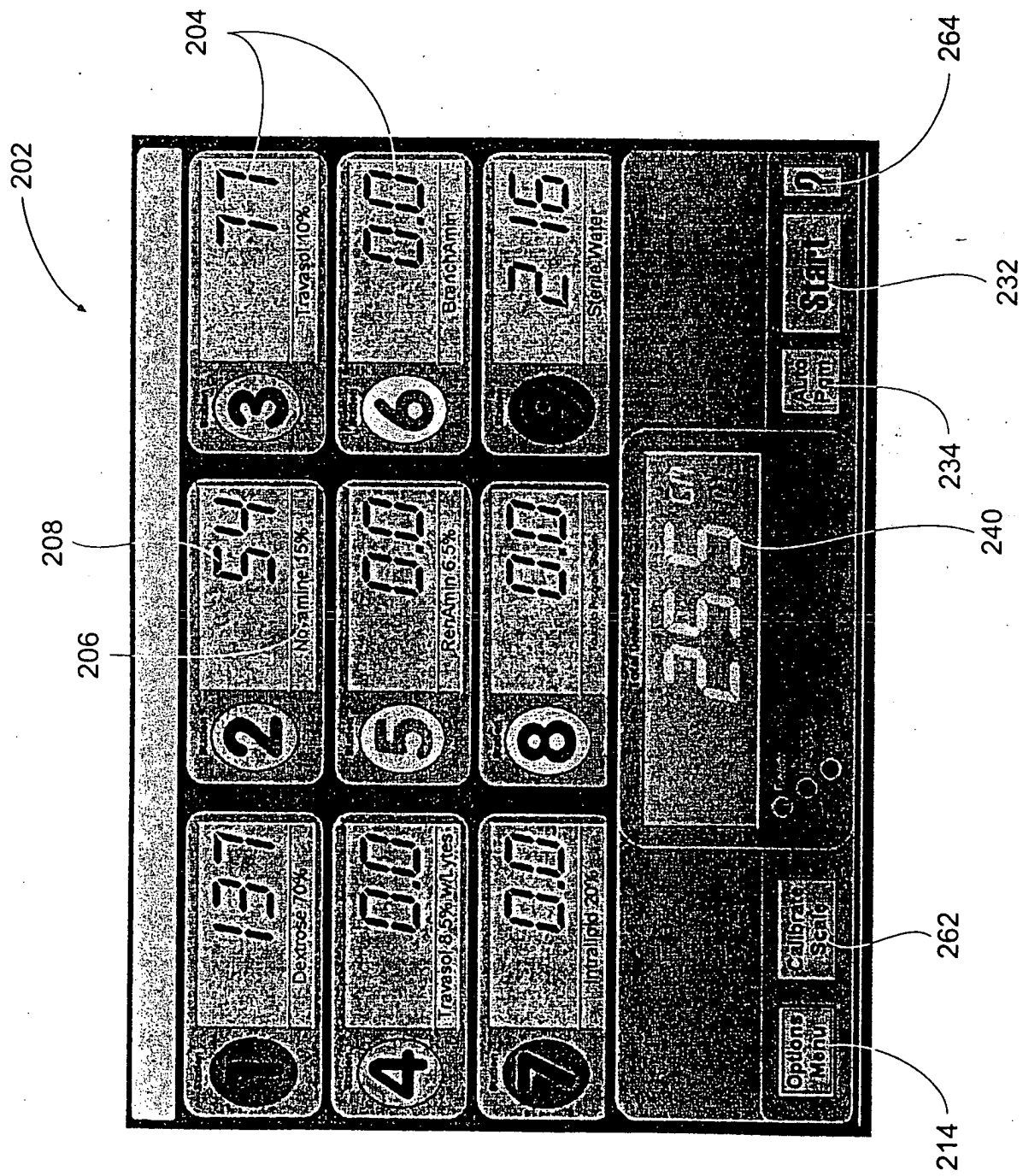


Fig. 9L



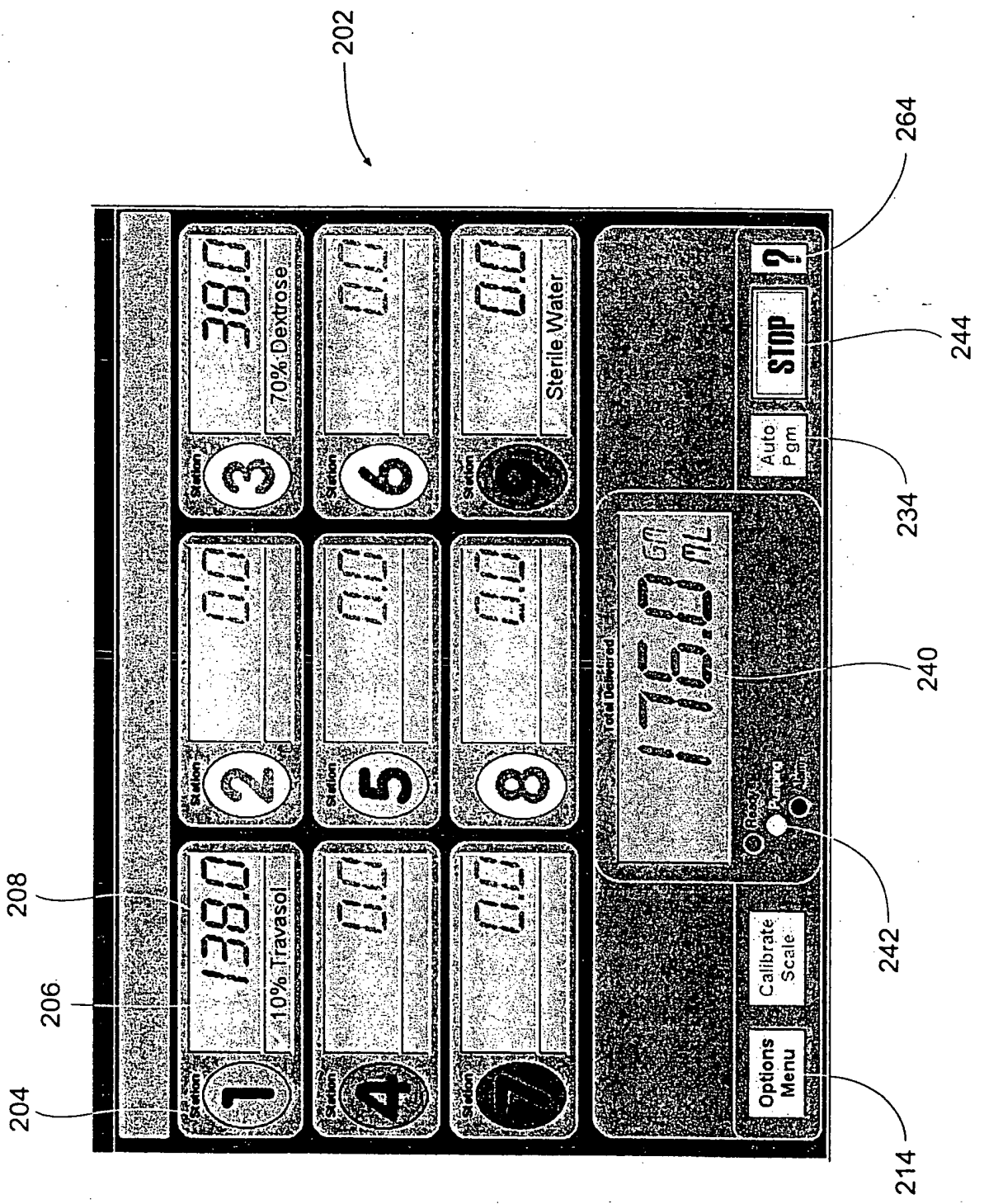


Fig. 9M

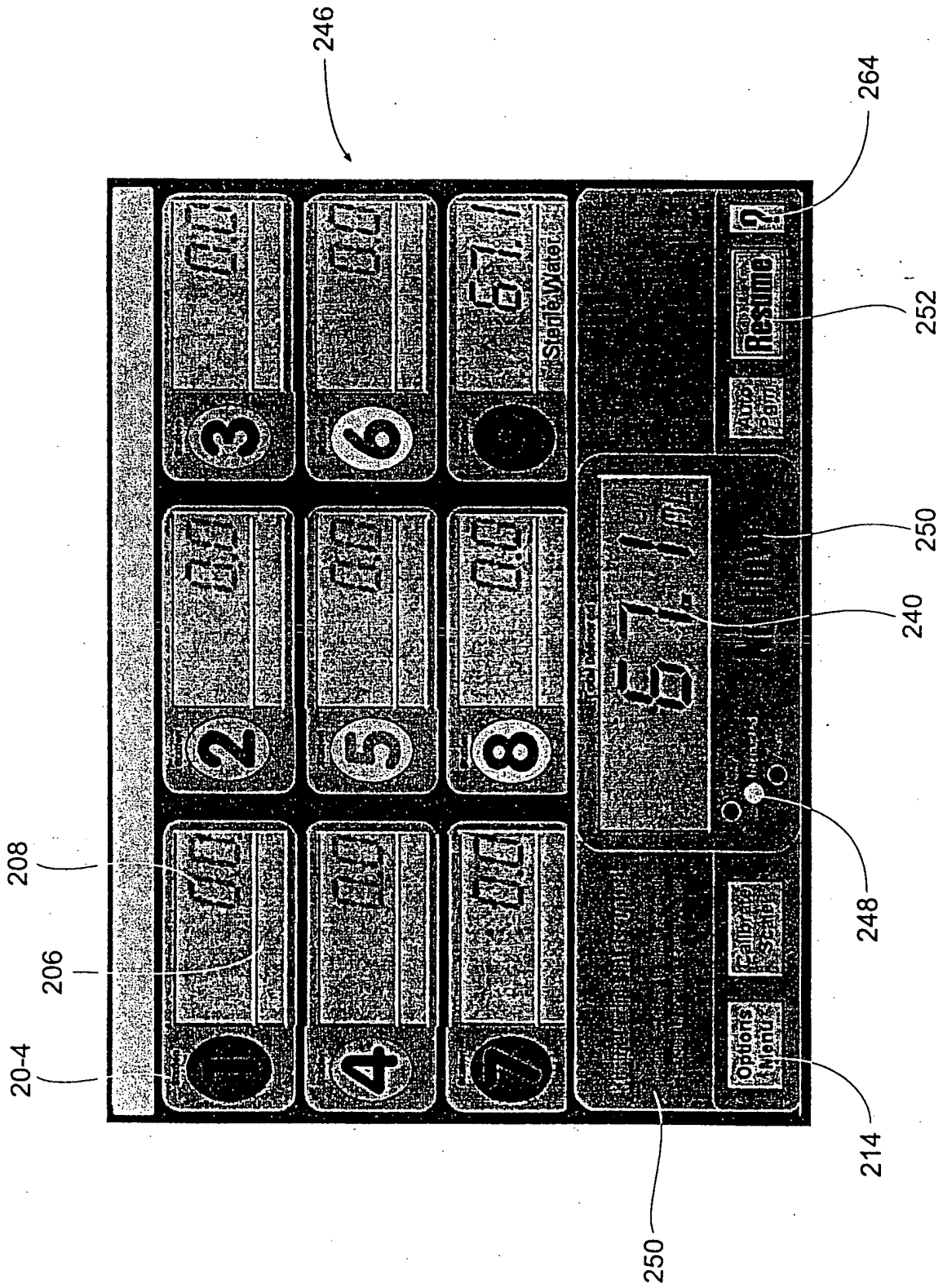


Fig. 9N

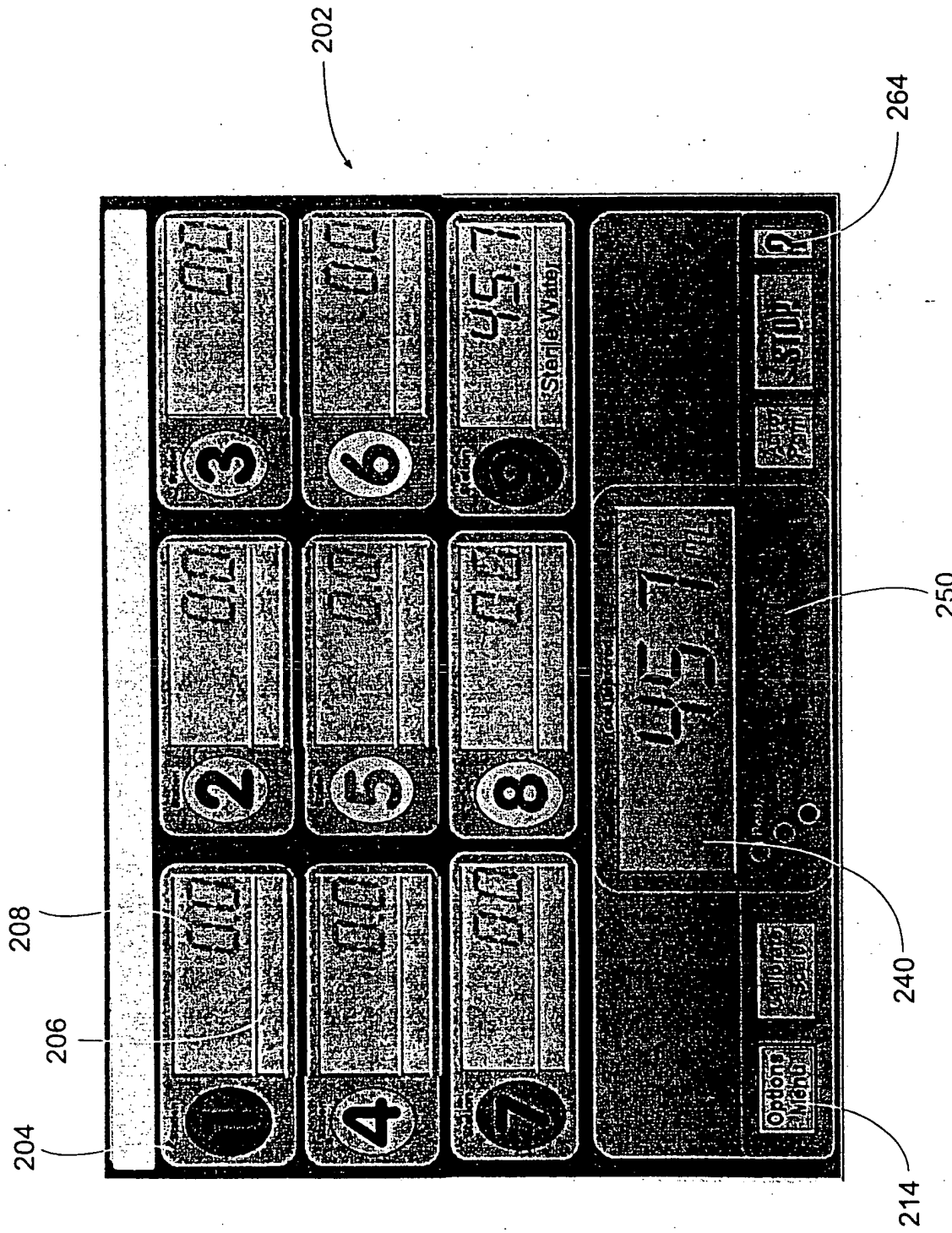


Fig. 90

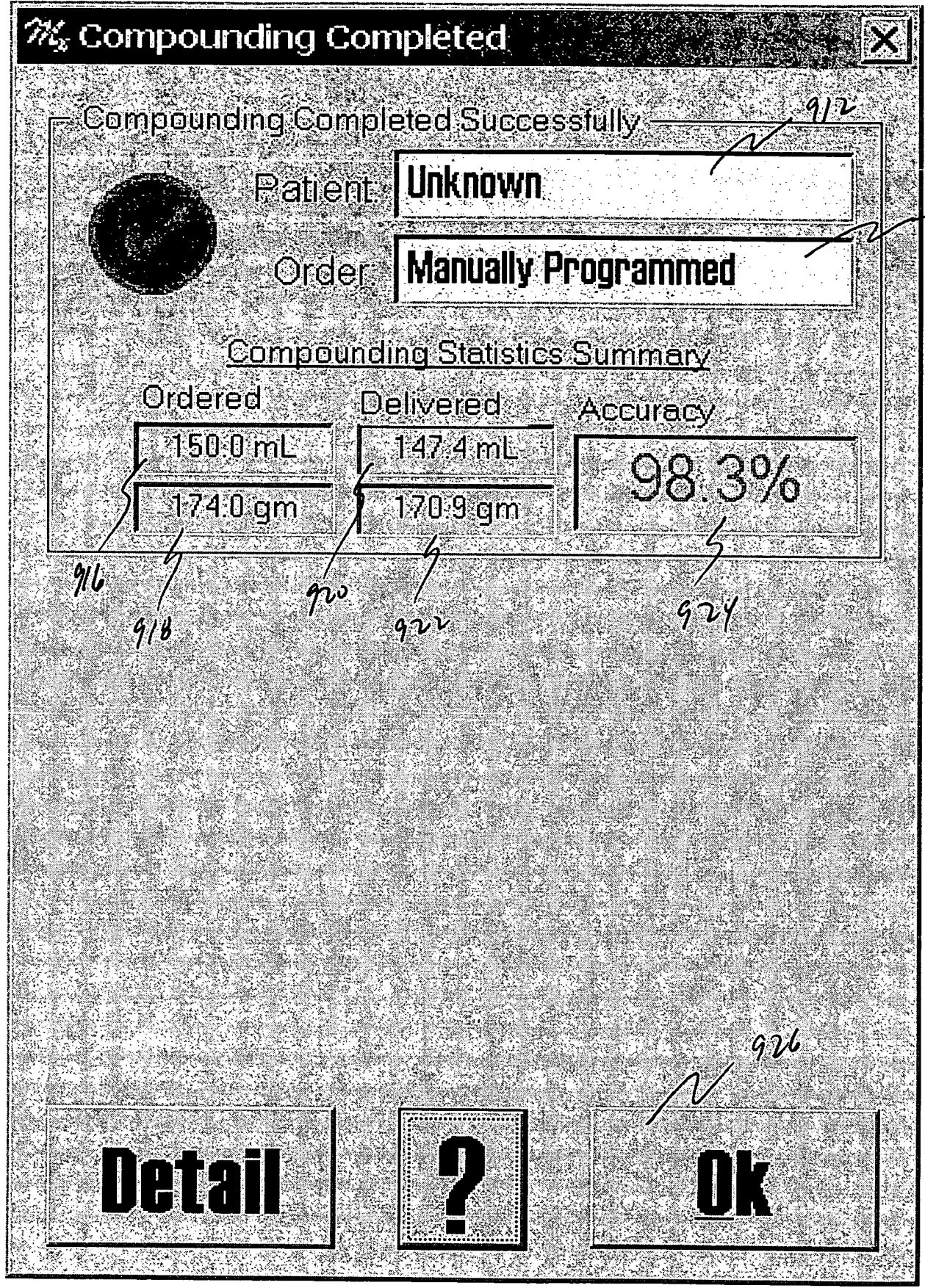


FIG 90(1)

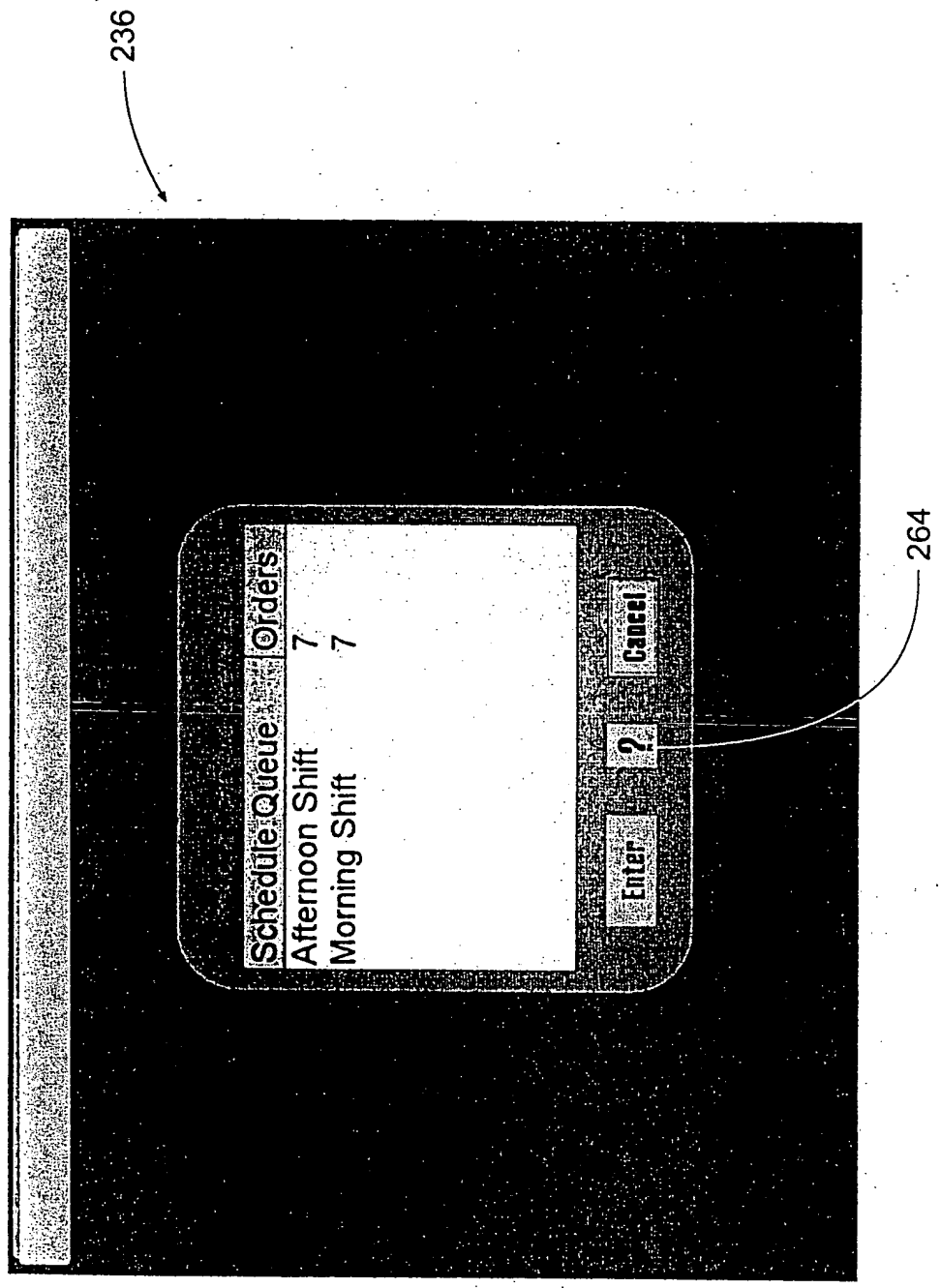


Fig. 9P

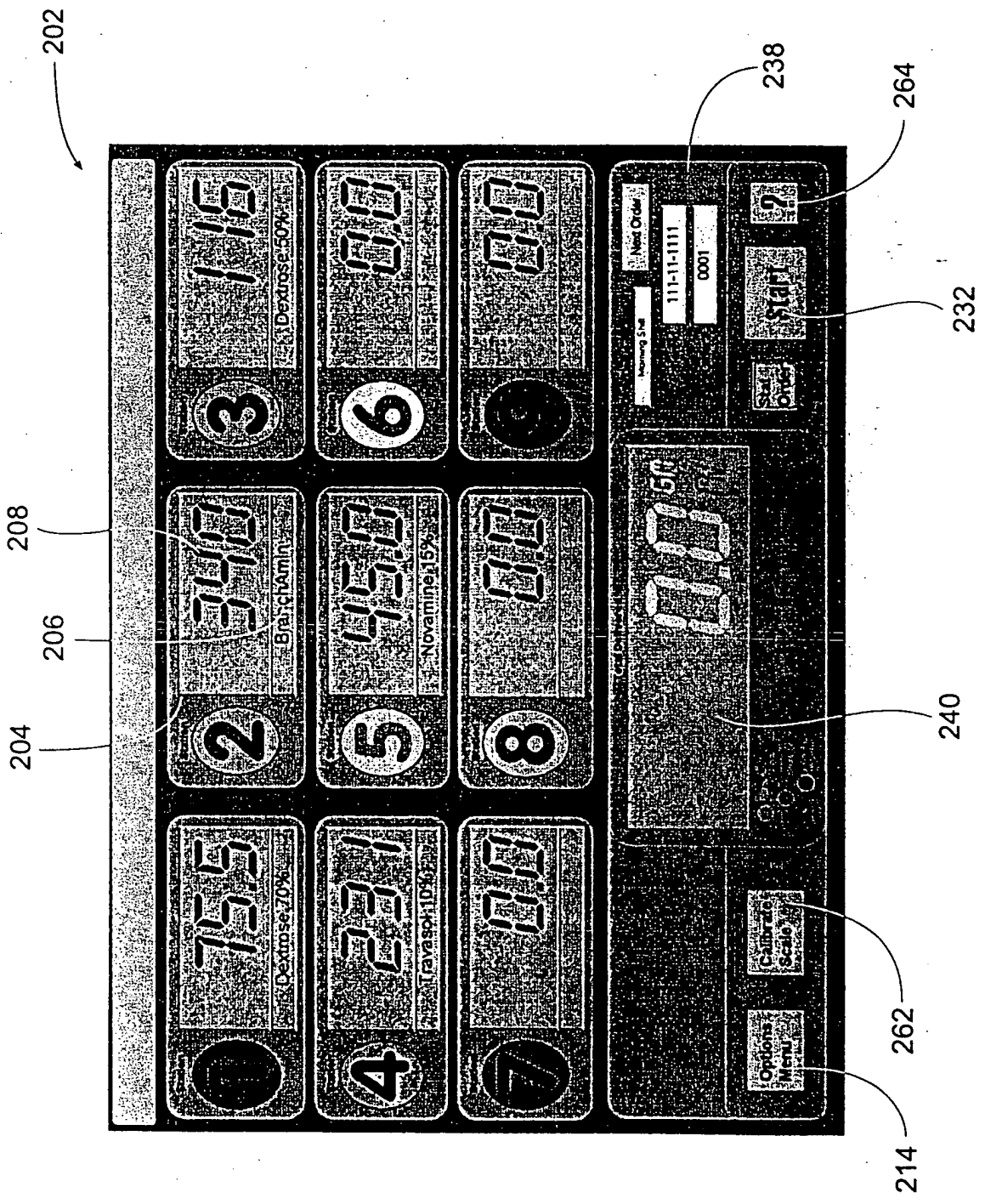


Fig. 9Q

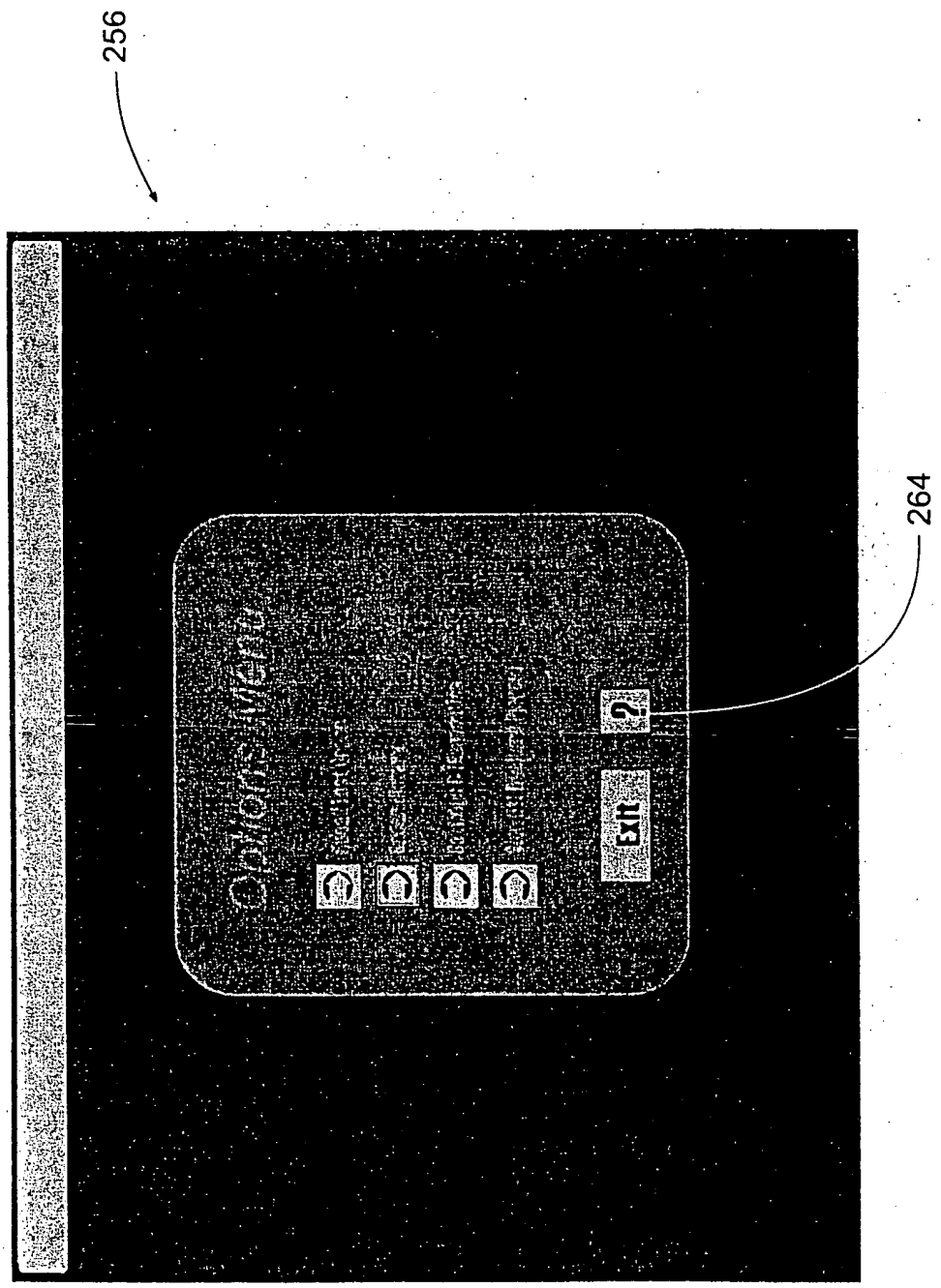


Fig. 9R



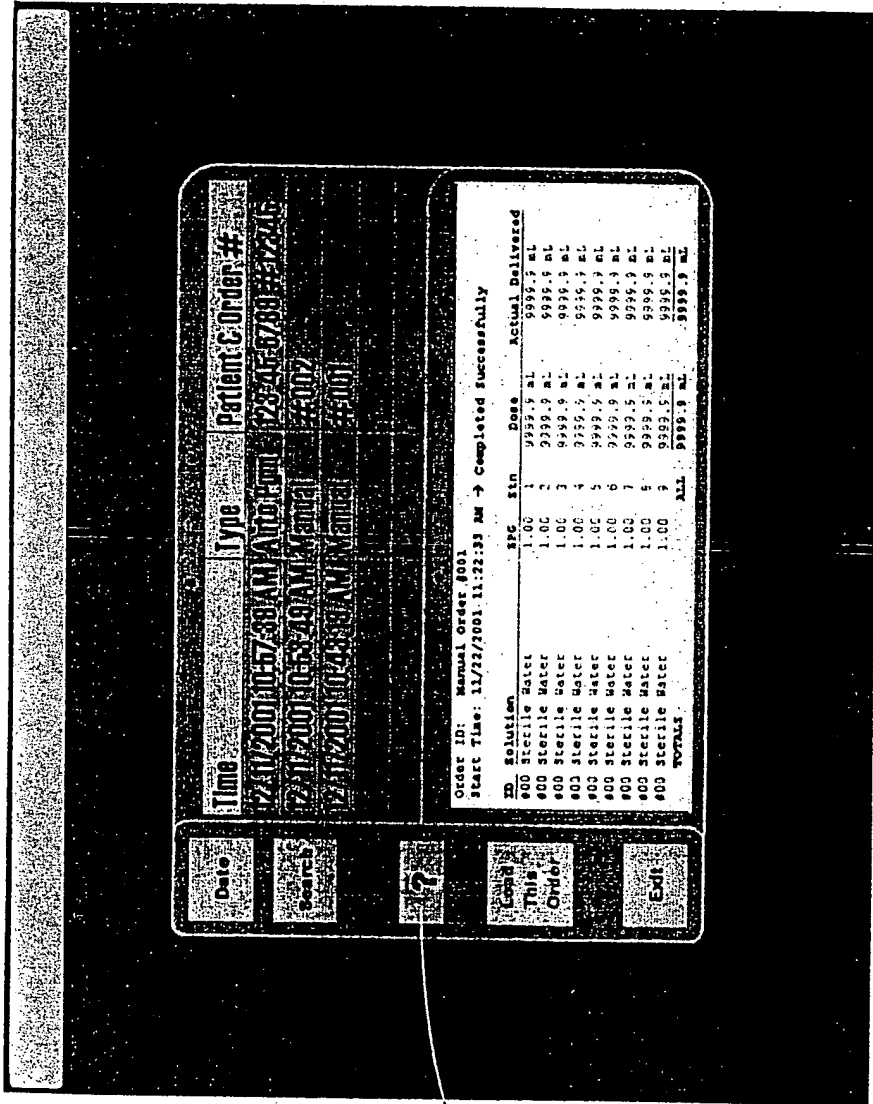


Fig. 9S



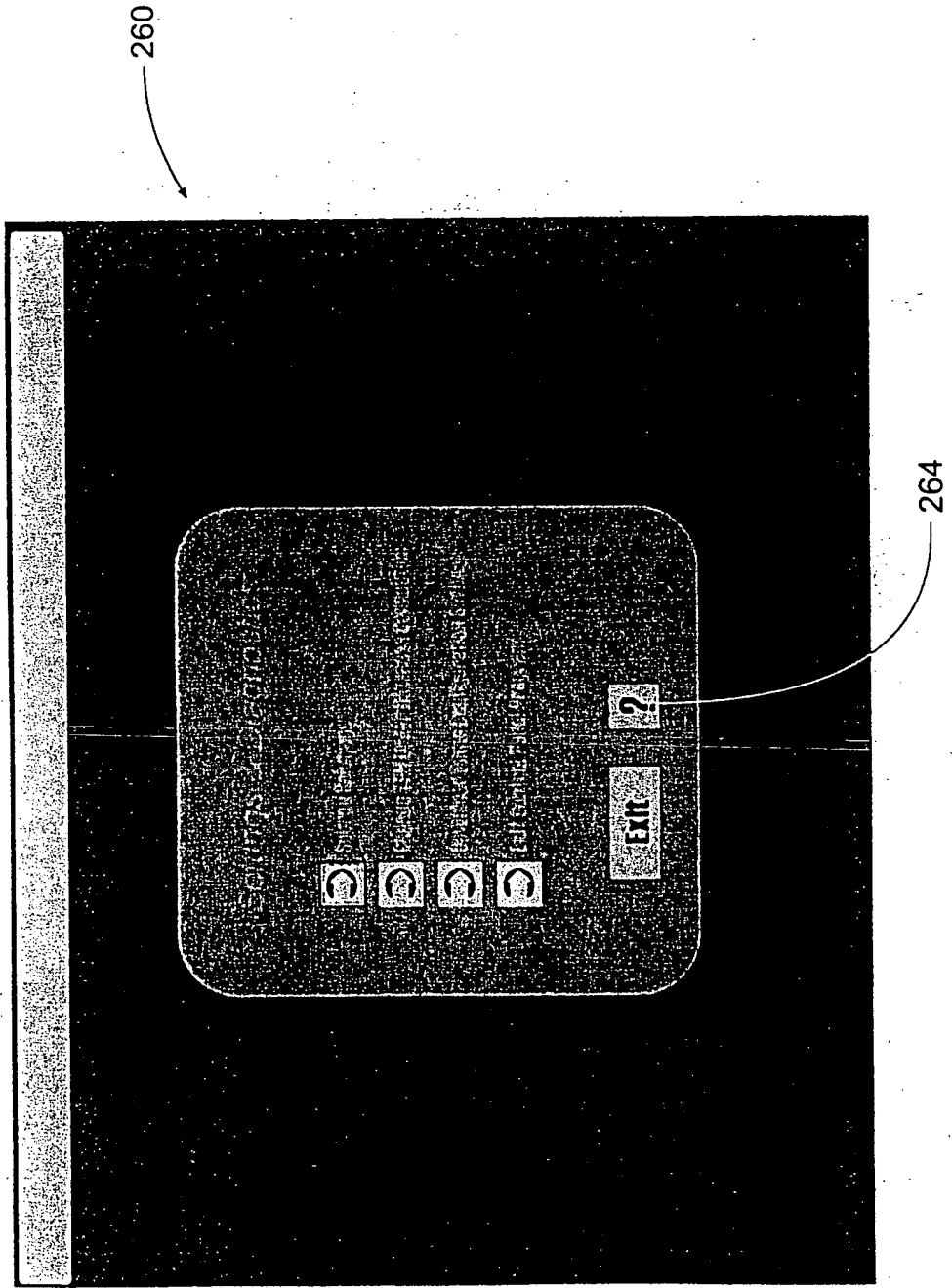


Fig. 9T

266

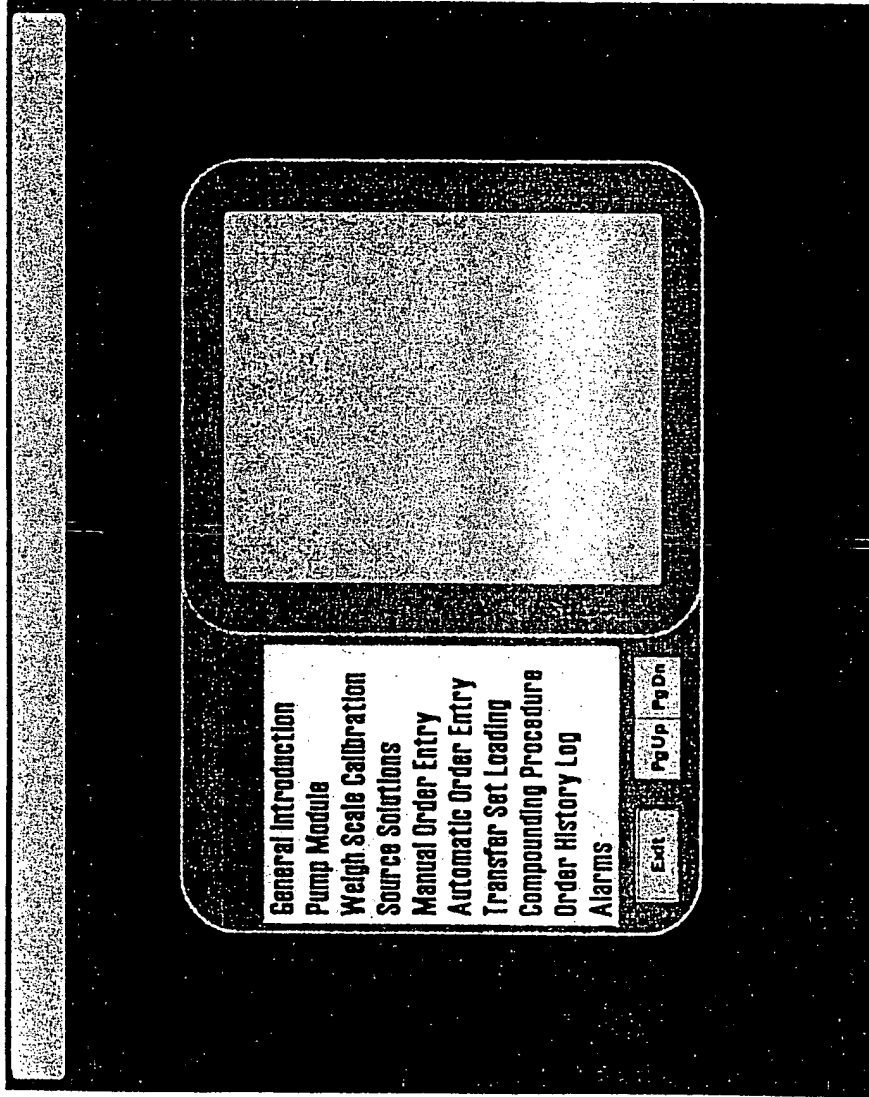
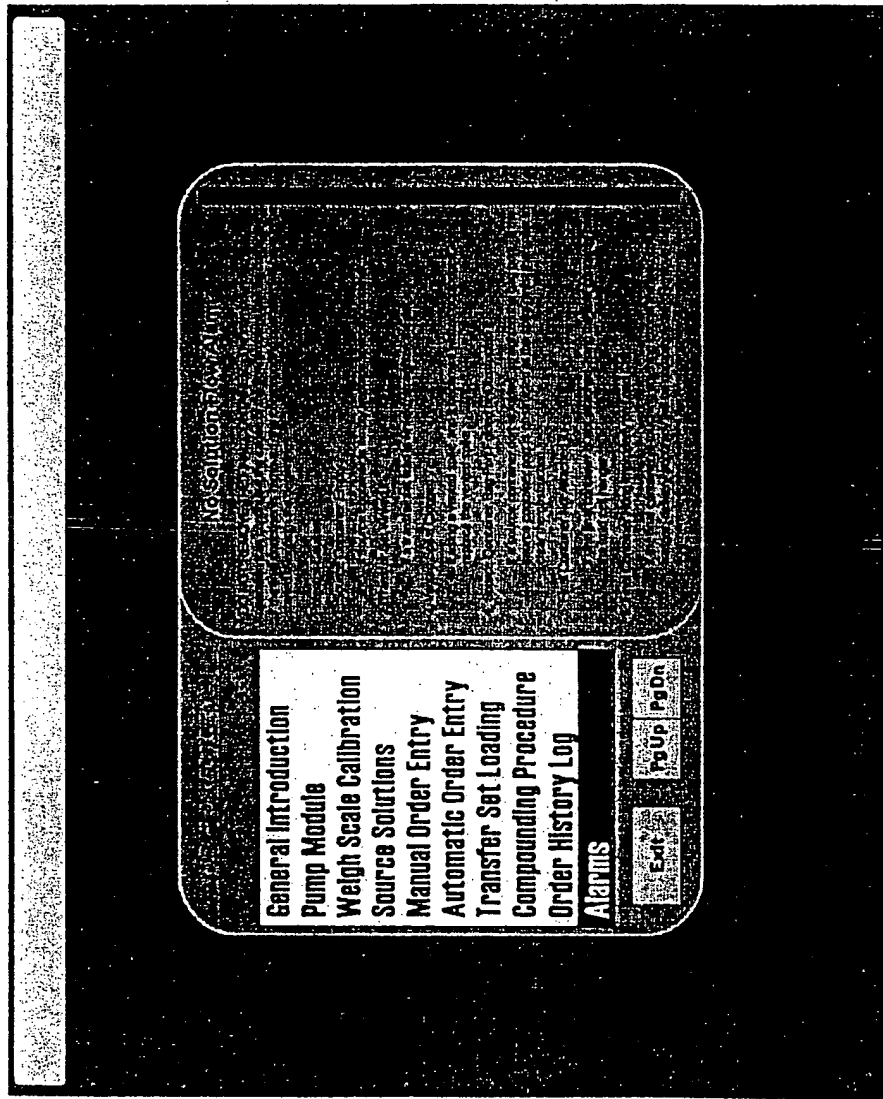


Fig. 9U



268

Fig. 9V

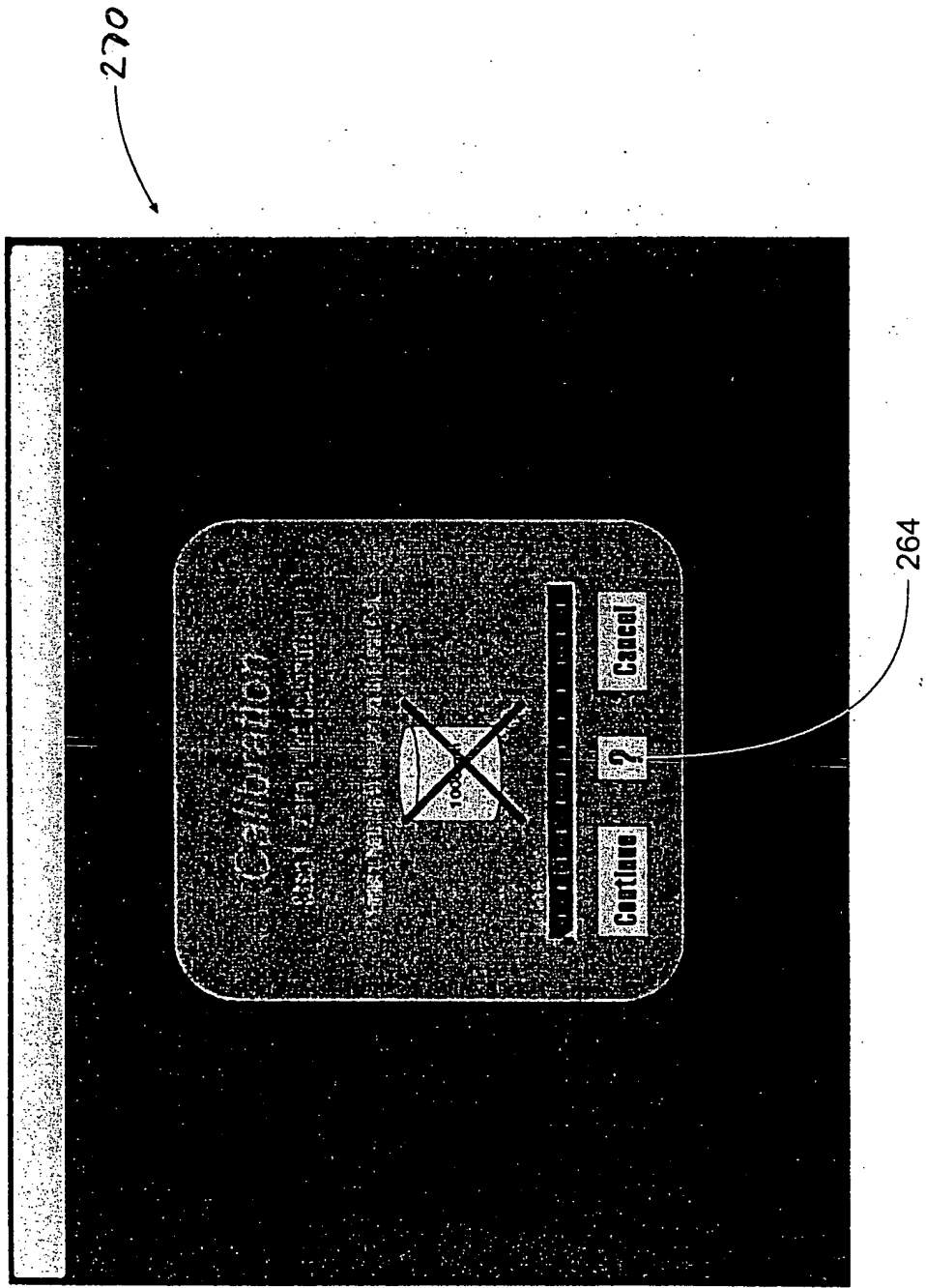


Fig. 9W

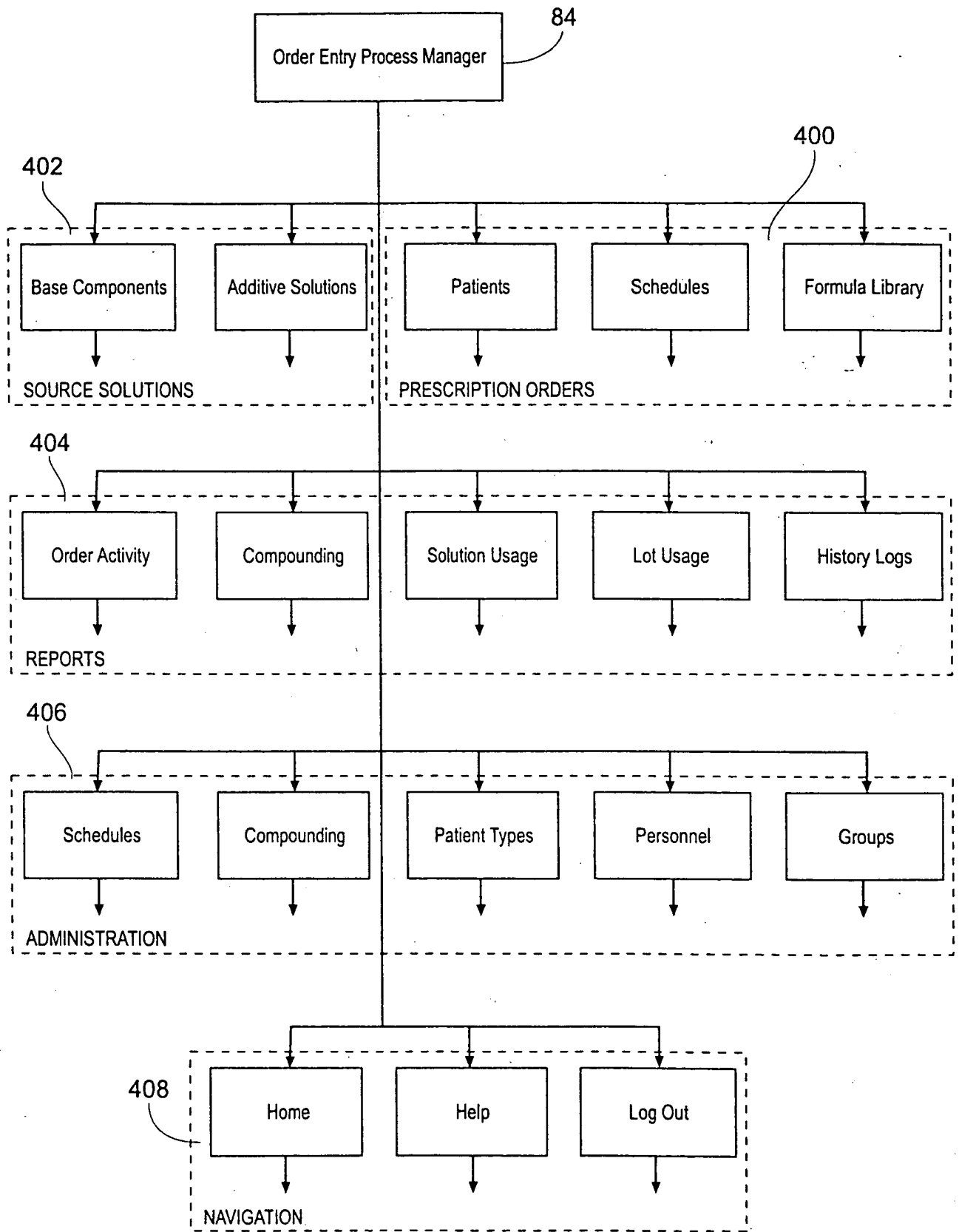
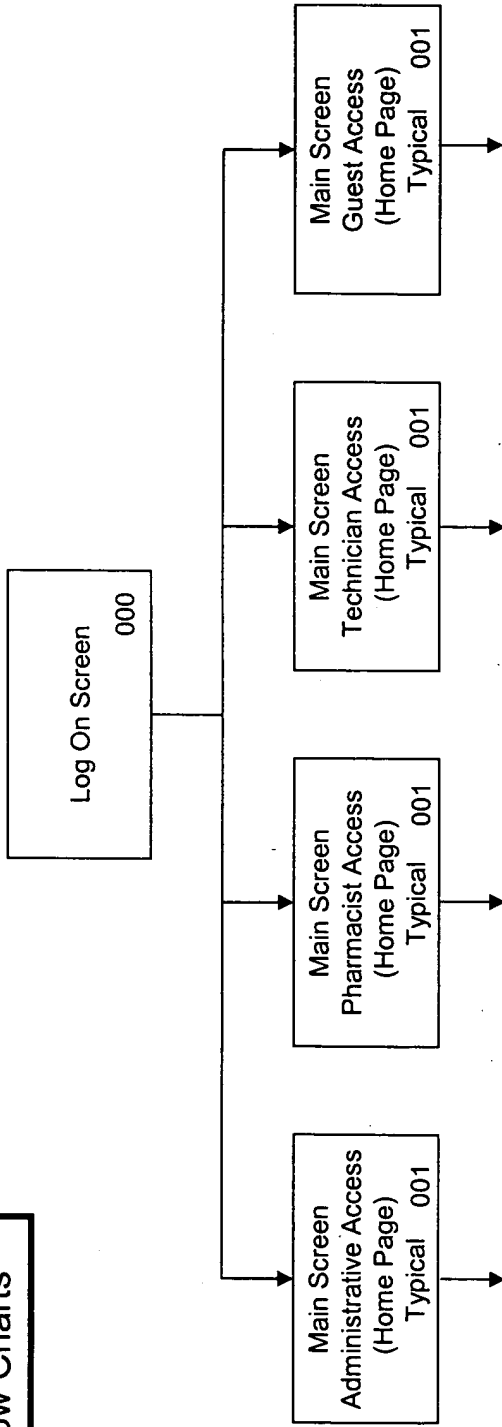


Fig. 10A (1)

TPN Order  
Entry System  
Flow Charts



Notes: Above access levels are "typical." Access to system functionality is a direct function of the individual's granted access options.

Access titles (e.g., Administrative, Pharmacist, etc.) are not fixed and are instead examples of the type of levels that can be set up by the user.

Screen numbers are three digit code located in lower right corner of each flow chart box.

Fig 10 A (2)

**TPN Order Entry System Flow Charts**

Main Screen Administrative Access (Home Page) Typical 001

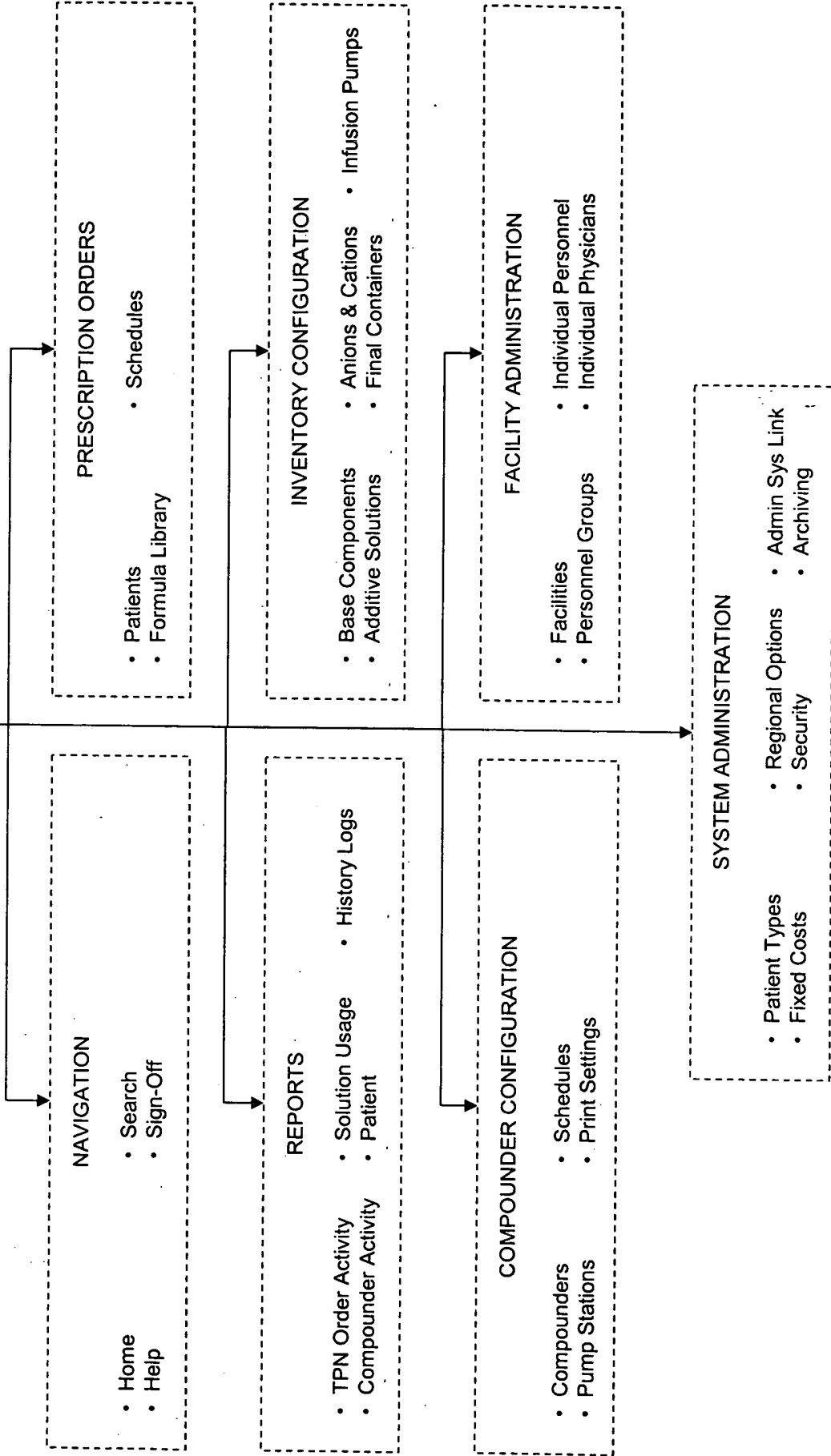
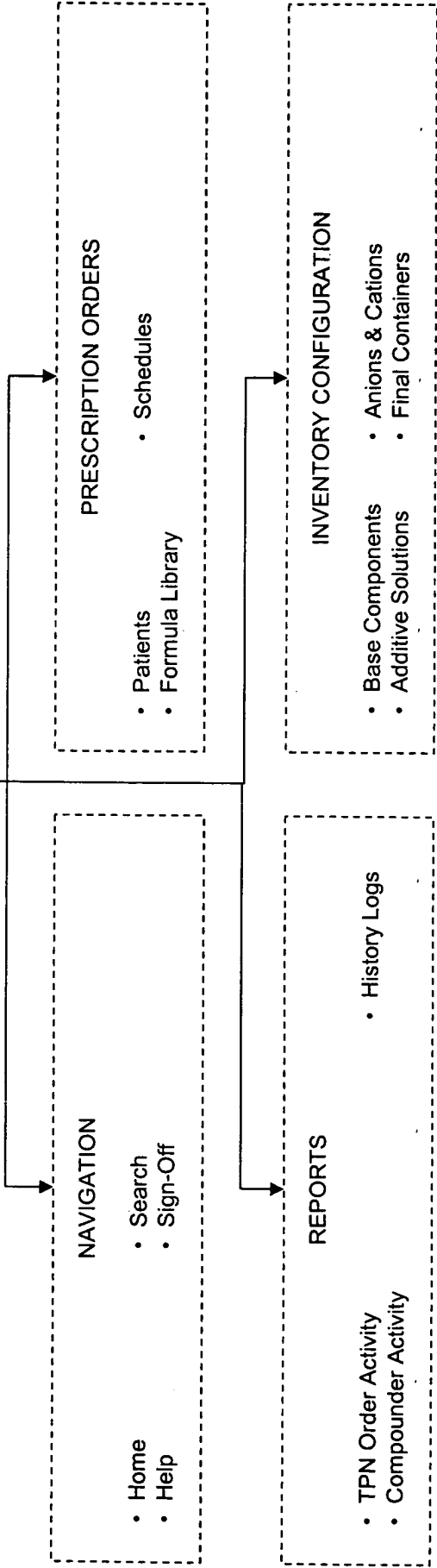


Fig 10 A (3)

**TPN Order  
Entry System  
Flow Charts**

Main Screen  
Pharmacist Access  
(Home Page)  
Typical 001

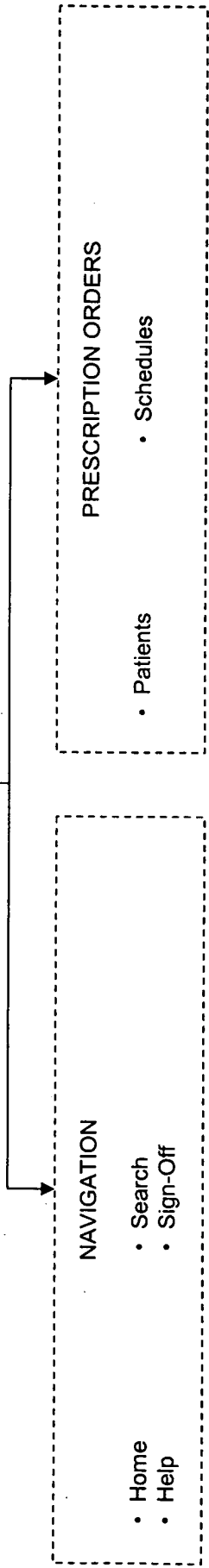


FN 10 24



TPN Order  
Entry System  
Flow Charts

Main Screen  
Technician Access  
(Home Page)  
Typical 001



- NAVIGATION
- Home
  - Help
  - Search
  - Sign-Off

- PRESCRIPTION ORDERS
- Patients
  - Schedules

Fig 10A(8)

Main Screen  
Guest Access  
(Home Page)  
Typical 001

TPN Order  
Entry System  
Flow Charts

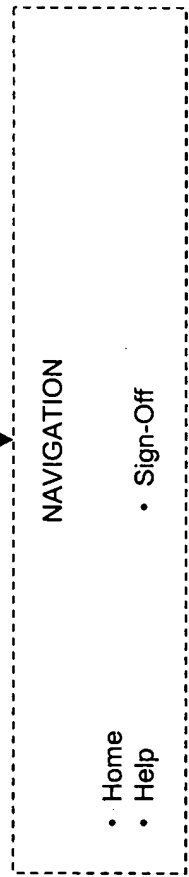


Fig 10A(6)

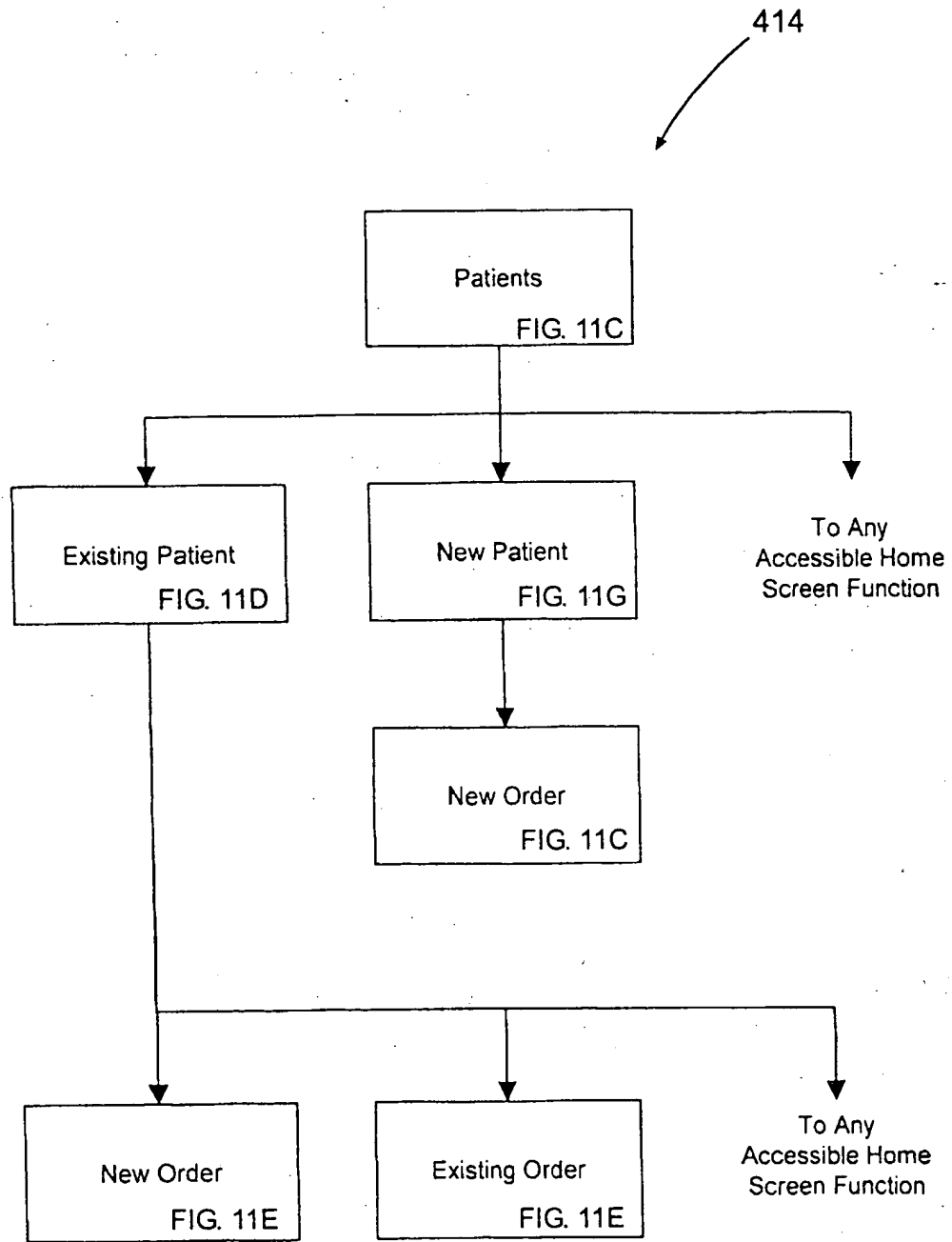


Fig. 10B

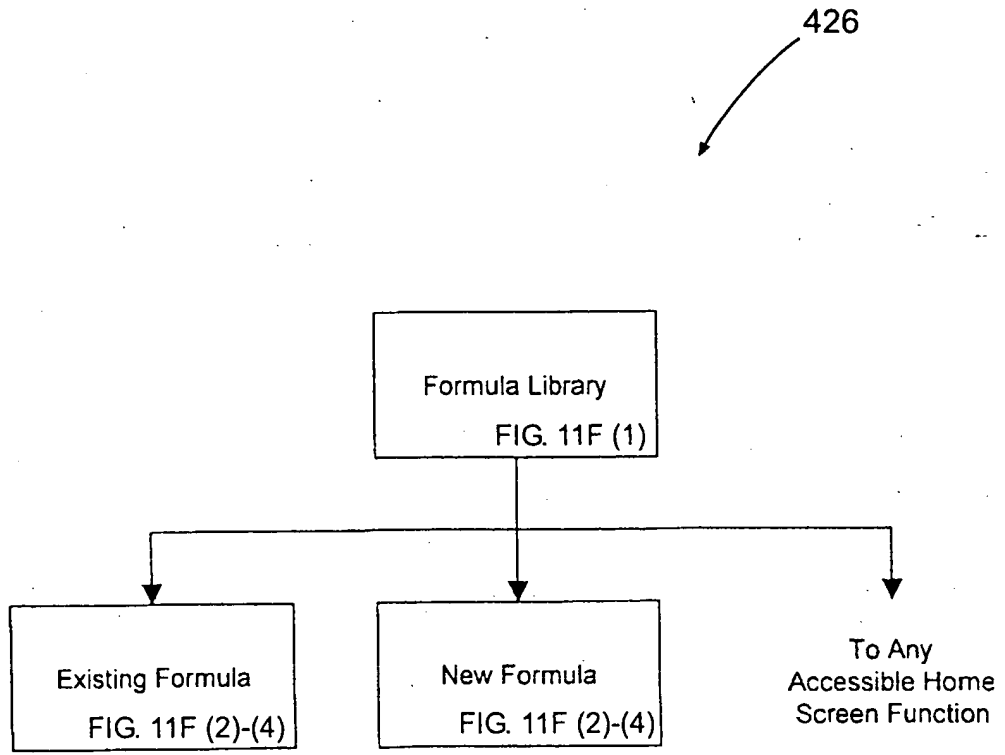
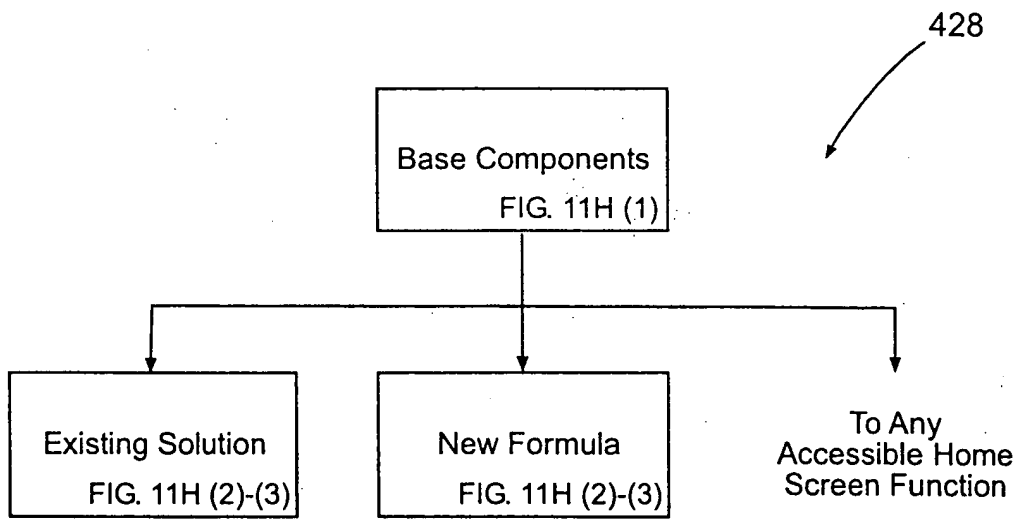


Fig. 10C



*Fig. 10D*

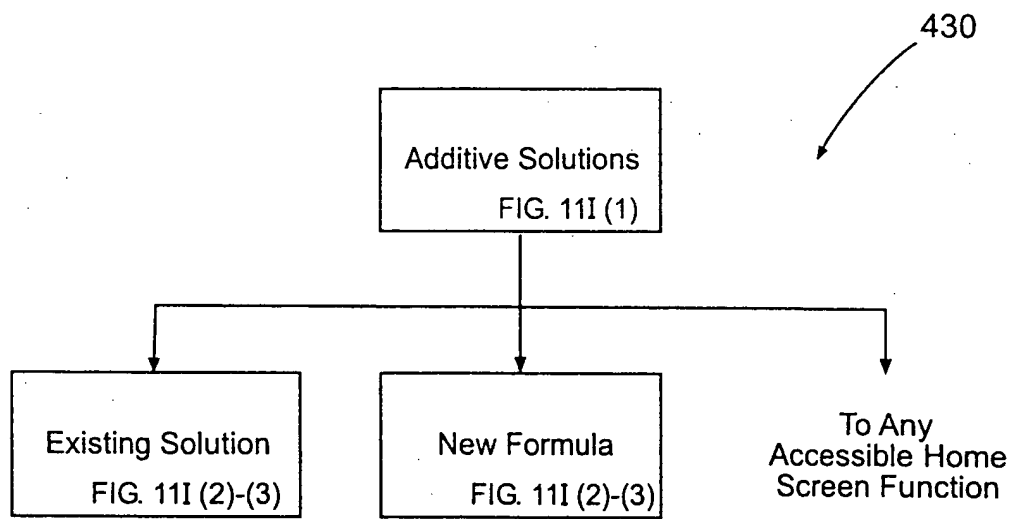
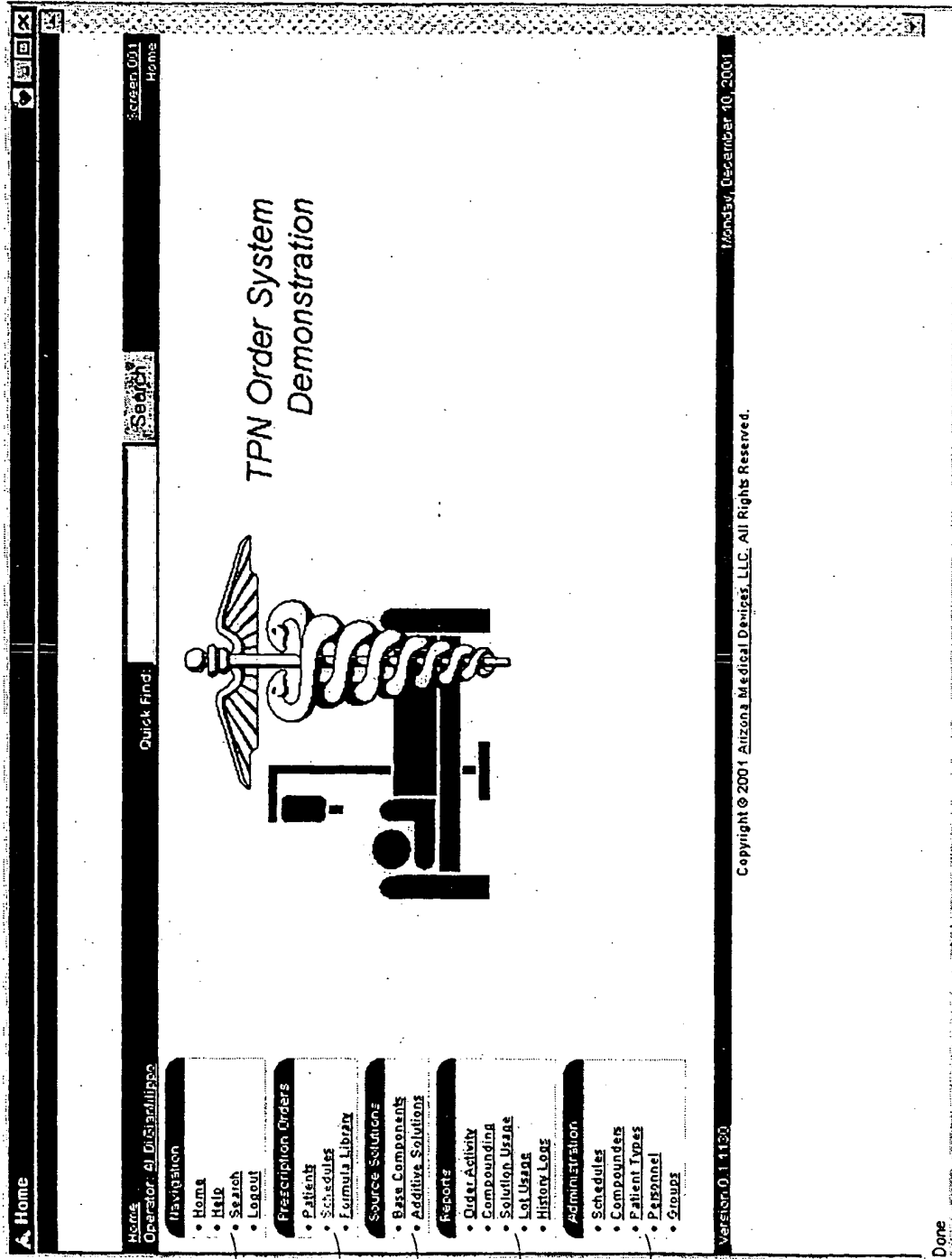


Fig. 10E



410

400

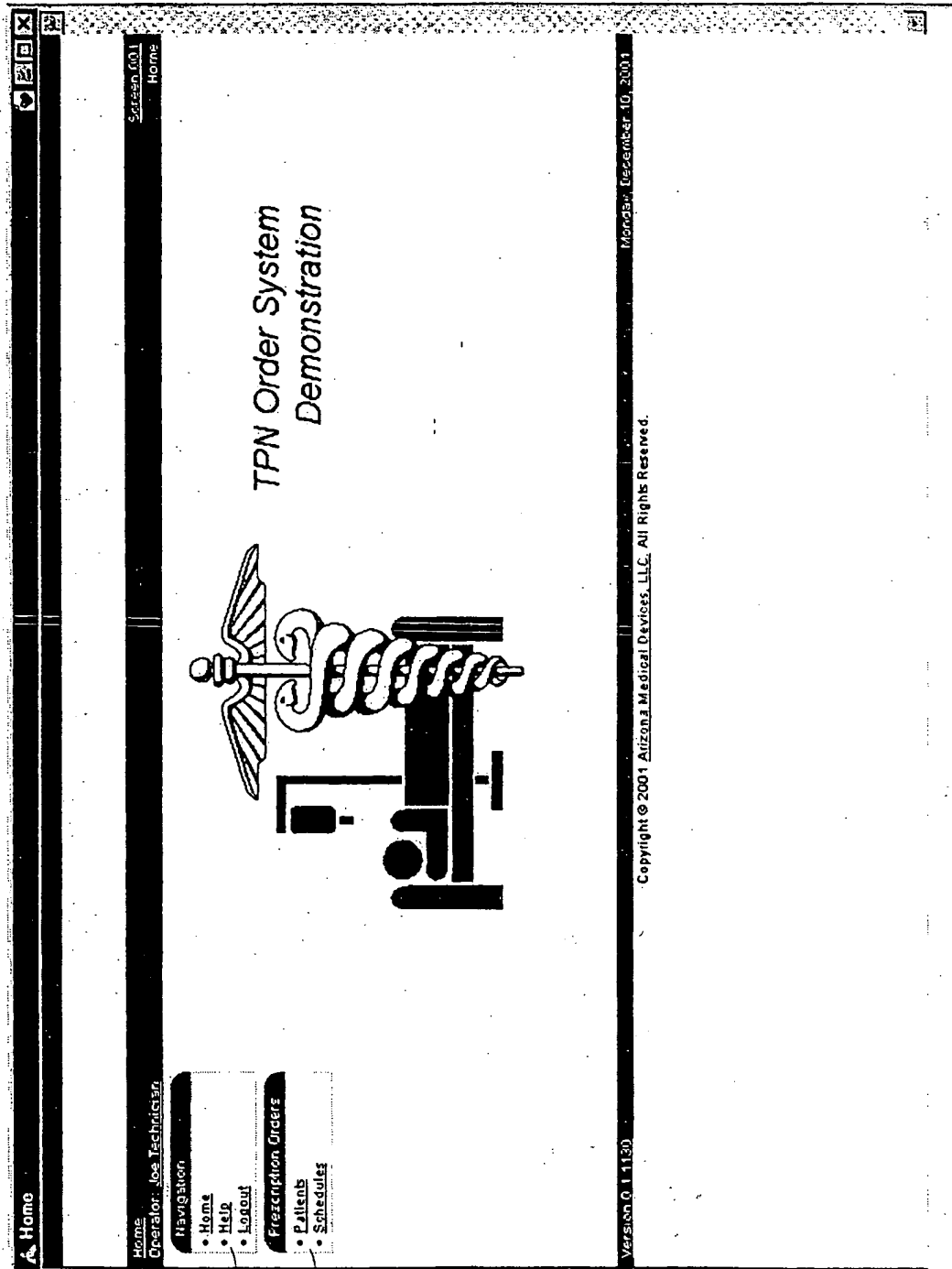
400

402

404

406

Fig. 11A



408

476

410

Fig. 11B



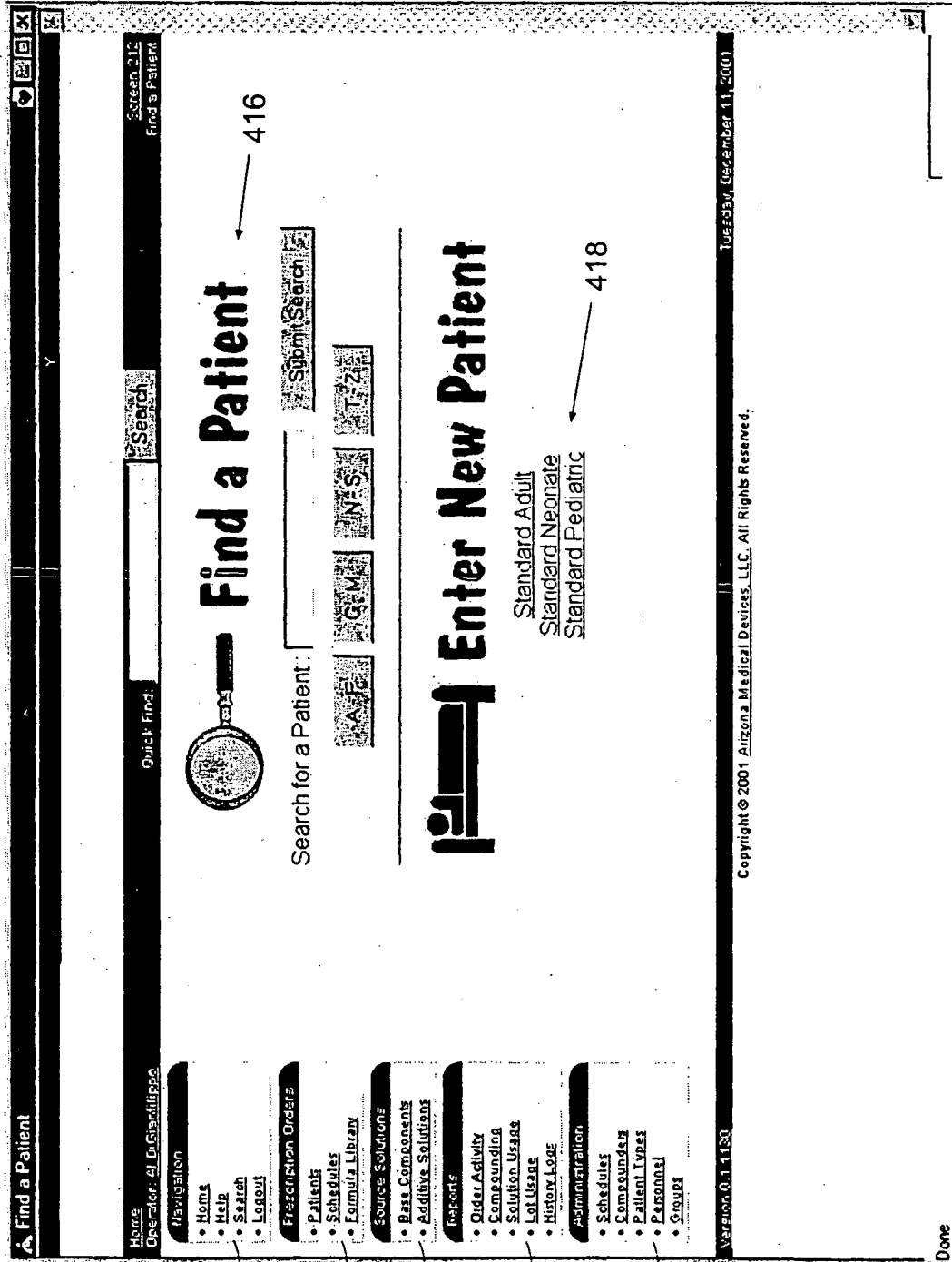


Fig. 11C

- Navigation
- Home
- Help
- Search
- Sign Off

~ 408

- Prescription Orders
- Patients
- Schedules
- Formula Library

~ 400

- Reports
- TPN Order Activity
- Compounder Activity
- History Logs

~ 404

- Inventory
- Configuration
- Base Components
- Additive Solutions
- Anions & Cations
- Final Containers

~ 402

Patient Record Edit Record View History

Patient Name: Test Patient #1 Patient ID: 111-11-1111


Location: Room 1 Age: 22 Years

Diagnosis: diagnosis 1 Sex: M

Diagnosis 2: diagnosis 2 Height: 77.0 cm

Physician: \_\_\_\_\_ Weight: 44.0 Kg

Allergies: None



Nutritional Assessments for Patient [New Assessment](#)

- 11/24/2003 - test assessment

TPN Orders on File for Patient

- Bag #TPN1001-TEST
- Bag #TPN1002-TEST
- Bag #TPN1003-TEST

~ 423

~ 422

Formula Library Order Templates Available for Adult Patient

- Blank TPN Order Form
- Adult Default
- Per Liter Adult Formula
- IDPN
- CARDIOPLEGIC SOLUTION

~ 424

FIG. 11 D.


420

TPN Order Entry
Screen 310  
TPN Order Entry

---

Home  
Operator: AL Girardolippo
Data Entry

---




### TPN Order Entry

---

**Patient Information** Exit Patient Record

Patient Name: <b>Test Patient #1</b>	Patient ID: <b>11111-1111</b>
Location: <b>Room 222, Bed 1</b>	Age: <b>22 Years</b>
Diagnosis: <b>Fever</b>	Sex: <b>Male</b>
Physician: <b>Dr. Smith</b>	Height: <b>86.0 cm</b>
Allergies: <b>None</b>	Weight: <b>34.0 Kg</b>



---

**I.V. Container Information**

**Prescription Order**

Order Number: <b>Container 1</b>	Order History: <b>12/03/2001 13:02:28 (asp) Changed TPN Order</b>
Infusion Volume: <b>2000 mL</b>	Infusion Rate: <b>125.00 mL / Hour</b>
<input type="checkbox"/> Minimum Possible	Infusion Period: <b>9:20 Hours</b>
Order Volume: <b>0 mL</b>	Delivery Date: <b>06/26/2001</b>
Container Label Notes: <b>final notes</b>	Delivery Time: <b>6:00 AM</b>

**Worksheet Notes:** **worksheet notes**

---

Done

436

438

Fig. IIE (I)

TPN Order Entry

436

---

**Base Components**

Instructions	Base Component	Order Dose	Unit	ml	Edit
	Dextrose 70%	222.00 mL	/100Kg	75.5	change
	BranchAmin	93.10 mL	/Liter	186.2	change
	Dextrose 50%	5.00 %		200.0	change
	Travasol 10%	106.90 mL	/Liter	213.8	change
	Intralipid 10% PF 250 mL	250.0 mL Pre-Filled Container			change

Add Solution To Order

Solution:  Order Dose  Per  **440**

Pre-Fill Container:  Piggyback C Final Container

Click to Submit Base Component Changes or Additions

---

**Additives**

Instructions	Additive Solution	Order Dose	Unit	ml	Edit
	Potassium Chloride	20.00 mL	/Liter	40.0	change
	Sodium Acetate	30.00 mL	/100Kg	10.2	change
	Zinc	0.50 mL	/100Kg	0.2	change
	Hepann	1000.00 unit	/Kg-I	34.0	change
	Aminophylline	1.00 mL	/Lb-I	30.8	change
	Sodium Chloride	15.00 mEq	/500mL	60.0	change

442

Done

Fig. IIE (2)

Additives

Additive Solution	Order Dose	mL	Unit
Potassium Chloride	20.00 mL	/Liter	40.0 change
Sodium Acetate	30.00 mL	/100Kg	10.2 change
Zinc	0.50 mL	/100Kg	0.2 change
Heparin	1000.00 unit	/Kg-H	34.0 change
Aminophylline	1.00 mL	/Lb-H	30.8 change
Sodium Chloride	15.00 mEq	/500mL	60.0 change

442

436

Solution  Order Dose  Per

Click to Submit Additive Changes or Additions. Submit Changes

Nutritional Summary

<b>Nutritional Content Summary</b>	<b>Electrolyte Content Summary</b>
4.18 gm Nitrogen	0 mEq NA+
118.195 Kcal Protein	0 mEq K+
522.445 Kcal Dextrose	0 mEq CA++
275.000 Kcal Lipid	0 mEq Mg++
<b>915.640 Kcal Total</b>	0 mEq CL-
	0 mMol PO4--
	0 mEq AC-
<b>Total Volume: 2000.0 mL</b>	<b>Osmolarity 14117.4</b>

444

Order Status

Done

Fig. IIE (3)

**TPN Order Entry**

279.000 Kcal Lipid	0 mEq Mg++	480
915.640 Kcal Total	0 mEq CL-	478
	0 mMol PO4--	
	0 mEq AC-	
Total Volume: 2000.0 mL	Osmolarity: 1417.4	

454

466

**Order Status**

<b>Open</b>	<b>Submitted</b>	<b>Authorized</b>	<b>Printed</b>	<b>Completed</b>
Open for Order Entry	Submitted for Review & Authorization.	Review Completed Ready to Print Labels.	Labels Printed, Ready for Compounding.	Order Completed, Ready for Delivery to Patient.

452

422

458

460

456

462

464

I have reviewed this order for accuracy and compliance with the policies at this facility.

Schedule: Morning Shift

Authorizing Pharmacist: ald  
Monday, December 10, 2001

Authorize for Compounding

Stat Order

Delete this TPN Order

Done

VERSION 0.1.1130

Copyright © 2001 Alizon Medical Devices, LLC. All Rights Reserved.

Monday, December 10, 2001

Done

Fig. IIE (4)

Quick Find:  Search

- Home
- Help
- Search
- Sign Off

- Prescription Orders
- Patients
- Formula Library

- Reports
- TPN Order Activity
- Compounder Activity
- Solution Usage
- Patient
- History Logs

- Inventory Configuration
- Base Components
- Additive Solutions
- Anions & Cations
- Final Containers
- Infusion Pumps

- Compounder Configuration
- Compounders
- Pump Stations
- Schedules
- Print Settings

- Facility Administration
- Facilities
- Personnel Groups
- Individual Personnel
- Individual Physicians

- System Administration
- Patient Types
- Fixed Costs
- Regional Options
- Security
- Admin Svg Link
- Archiving



# Final Containers

Select a Final Container from the following list  
or Add a New Final Container

494

- Final Container List
- Empty 5000 mL EVA
  - Empty 150 mL EVA
  - Empty 500 mL EVA
  - Empty 1000 mL EVA
  - Empty 3000 mL EVA
  - Empty 250 mL PVC
  - Empty 500 mL PVC
  - Empty 1000 mL PVC
  - Empty 2000 mL PVC
  - Empty 3000 mL PVC
- Report Listing Menu

491

490

492

493



Final Container Inventory

History: Created: 11/24/2003

Record Status:  Enabled  Disabled

Container Description: Empty, 3000 mL EVA

Rated Size: 3000 mL

Maximum Capacity: 3300 mL

Nominal Empty Weight: 43 gm

Max Under Nominal Weight: 10 gm

Max Over Nominal Weight: 10 gm

Unit Cost: \$ 0.00

Update

Delete

Cancel

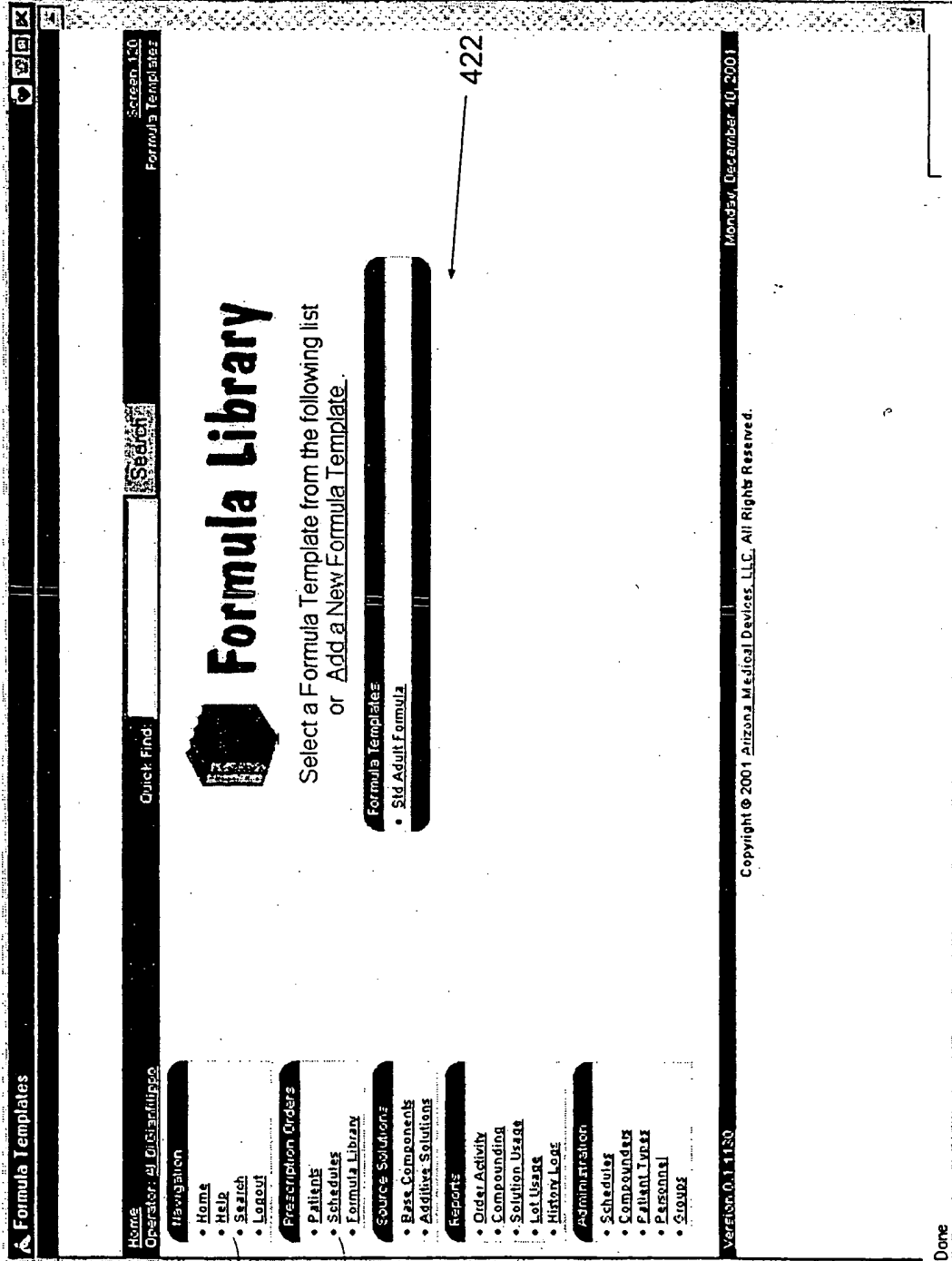
Save changes to this Record.

Delete this Record.

Exit without saving changes.

F-16-116(6)





400

402

420

422


Fig. IIF (1)

TPN Order Template

Screen 1-1  
TPN Order Template

Data Entry

Home Operator: el Garcia/Phillippo

 TPN Order Template

**Order Formula Template**

Formula Template Name:

Formula description and/or special instructions for formula data entry:

Order Number:		In Route Rate:	mL / Hour	In Route Period:	9:20 Hours
Order Rate Value:	1000 mL	<input checked="" type="checkbox"/> Minimum Possible			
Order Btl Volume:	0 mL				

Container Label Notes:

Worksheet Label Notes:

434

Fig. 11F (2)

IPN Order Template

Base Component	Order Dose	Data Entry Instructions	Edit
BranchAmin	25.00 mL /500mL	Instructions	change
Dextrose 70% PF:500 mL	0.00 mL		change

Add Solution To Template

Solution Order Dose Per

Data Entry Instructions (optional)

Submit

---

Additive Solution	Order Dose	Data Entry Instructions	Edit
Sodium Chloride	15.00 mEq /500mL	Instructions	change

Add Solution To Template

Solution Order Dose Per

Data Entry Instructions (optional)

Submit

---

Nutritional Content Summary  
0.12 gm Nitrogen

Electrolyte Content Summary  
0 mEq NA+

Done

434

Fig. IIF (3)

Add Solution	Order Dose	Date Entry	Instructions	Edit
Sodium Chloride	15.00 mEq / 500mL		Instructions	change
Add Solution To Template				
Solution	Order Dose	Per		
Data Entry Instructions (optional)				
Submit				

434

**Nutritional Content Summary**  
 0.12 gm Nitrogen  
 4.461 Kcal Protein  
 1195.000 Kcal Dextrose  
 0.000 Kcal Lipid  
**1199.461 Kcal Total**

Total Volume: 543.5 mL

**Electrolyte Content Summary**  
 0 mEq NA+  
 0 mEq K+  
 0 mEq CA++  
 0 mEq Mg++  
 0 mEq CL-  
 0 mMol PO4--  
 0 mEq AC-


Osmolarity 120.0



Fig. IIF (4)

Home
Operator: 4101GIBH11990
Screen 311

Patient Information
Data Entry
Patient Information



## Patient Information

History: **New Record**

Patient ID:

Name:

Patient Type:  Adult  Pediatric  Neonate

Sex:  Male  Female

Age:   Years  Months  Days

Height:   Inches  cm

Weight:   Lbs  Kg

Location:

Physician:

Diagnosis:

Allergies:

Notes:

Authorized Personnel:

Administrative Staff  
 Pharmacy Staff  
 Pharmacy Technician  
 Superuser

448




Fig. 11G (1)

**Patent Information**

Age:   Years  Months  Days

Height:   Inches  cm

Weight:   Lbs  Kg

Location:

Physician:

Diagnosis:

Allergies:

Notes:

Authorized Personnel:

- Administrative Staff
- Pharmacy Staff
- Pharmacy Technician
- Superuser

Photo:  Photo Not Available

Save changes to this Patient record.

Exit without saving changes.

Version 0.1.120

Copyright © 2001 Arizona Medical Devices, LLC. All Rights Reserved.

Monday, December 10, 2001

Done

448



450



Fig. 11G (2)

Base Component Solutions

Home Operator Al Diño antipipgo

Navigation

- Home
- Help
- Search
- Logout

Prescription Orders

- Patients
- Schedules
- Formula Library

Source Solutions

- Base Components
- Additive Solutions

Reports

- Order Activity
- Compounding
- Solution Usage
- Lot Usage
- History Logs

Administration

- Schedules
- Compounds
- Patient Types
- Personnel
- Groups

Quick Find:  Search

Screen 100 Base Component Solutions

# Base Components

Select a Base Component from the following list  
or [Add a New Base Component](#).

**Base Components**

- BranchAmin
- Dextrose 50%
- Dextrose 50% PF 1000 mL
- Dextrose 50% PF 500 mL
- Dextrose 70%
- Dextrose 70% PF 500 mL
- Frezamin
- Frezamin 8.5% w/v w/v w/v
- Frezamin HBC
- Frezamin II
- Frezamin III 10%
- Frezamin III 3.5% w/v w/v w/v
- Frezamin III
- Initalipid 10%
- Initalipid 10% PF 250 mL
- Initalipid 20%
- Lipoosyn II 10%
- Lipoosyn II 20%
- Lipoosyn III 10%
- Lipoosyn III 20%
- Nephramine 0.5%
- Norzamine 11.4%
- Novamine 15%
- Novamine 8.5%
- Procalamine 20%
- RenAmin 0.5%
- Sterile Water
- Sterile Water PF 500 mL
- Sterile Water PF 100 mL

Done

482

Fig. 11H (1)

Base Component Solution Inventory

Home Operator: AJ Orlandini

Screen 131 Base Component Solution Inventory

**Base Component Solution Inventory**

History: Created 09/26/2001

Record Status:  Enabled  Disabled

Special Designation:  QUIESC

Solution Name: Novamine 15%

Print on Label As: Novamine

Solution Family: Amino

Concentration: 15.000

Specific Gravity: 1.05

Cost Per 100 mL: \$ 0.00

Special Container:  Pre-Filled: Amt: 0 mL Capacity: 0 mL

Special Designation:  Branched Chain Amino Acid

Pump Station: 1<sup>st</sup> Choice: Station 9 (Violet) 2<sup>nd</sup> Choice: Station 5 (Grey) 3<sup>rd</sup> Choice: Station 3 (Green)

NDC Number: 0338-0494-03

Flammable Content: \_\_\_\_\_

Done

484

Fig. 11H (2)



**A Base Component Solution Inventory**

Electrolyte Content:

Na <sup>+</sup>	0.00	mmol/mL
K <sup>+</sup>	0.00	mmol/mL
Ca <sup>++</sup>	0.00	mmol/mL
Mg <sup>++</sup>	0.00	mmol/mL
PO4 <sup>-</sup>	0.00	mmol/mL
CL <sup>-</sup>	0.00	mmol/mL
AC	151.00	mmol/mL

Nutritional Content:

Mass Concentration	15	g/100 mL
Nitrogen Content	2	g/100 mL
Protein Calories	615	Kcal/L
Dextrose Calories	0	Kcal/L
Fat Calories	0	Kcal/L
Total BCAA	2749	mg/100 mL
Total Non-BCAA	12251	mg/100 mL

Notes:

Update    Delete    Cancel

Save changes to this Base Component.  
Delete this Base Component.  
Exit without saving changes.

Version: 0.1.1130    Copyright © 2001 Arizona Medical Devices, LLC. All Rights Reserved.    Monday, December 10, 2001

Done

484

Fig. 11H (3)

Home Operator: 21 Disigaluppo

Navigation

- Home
- Help
- Search
- Logout

Prescription Orders

- Patients
- Schedules
- Formula Library

Source Solutions

- Base Components
- Additive Solutions

Reports

- Order Activity
- Compounding
- Solution Usage
- Lot Usage
- History Logs


Administration

- Schedules
- Compounds
- Patient Types
- Personnel
- Groups

Quickly Find:

Screen 140 Additive Solutions

# Additive Solutions



Select a Additive from the following list  
or [Add a New Additive.](#)

Additives

- Albumin
- Aminobiphiline
- Chromium
- Folic Acid
- Heparin
- Hydrochloric Acid
- Hydrocortisone
- Iron
- Manganese
- Methylprednisolone
- Multiple Lyte
- Multivitamins
- Pediatric Multivitamins
- Potassium Chloride
- Regular Insulin
- Selenium
- Sodium Acetate
- Sodium Chloride
- Trace Elements
- Zinc

Report Listing View

Version 0.1.1130

Copyright © 2001 Arizona Medical Devices, LLC. All Rights Reserved.

Monday, December 10, 2001

Done

486

Fig. 11-1 (I)

Additive Solution Inventory

Additive Solution Inventory

---

Home Operator: Al Dugan@mltpro

Data Entry

---

### Additive Solution Inventory

History: Created 09/09/2001

Record Status:  Enabled  Disabled

Automatic Selection:  Allow  Disallow

Solution Name:

Print on Label As:

Use For Patient Types:  Adult  Pediatric  Neonate

Concentration:

Specific Gravity:


Pump Station: 1'st Choice:  2'nd Choice:  3'rd Choice:

NDC Numbers:

Cost Per mL: \$

Rinse After Dispensing:  Yes  No  Automatic

Electrolyte Content: Na+



Done

486

Fig. 11-1 (2)

**Additive Solution Inventory**

Pump Station: 1st Choice: Station 1 (Red) 2nd Choice: Station 1 (Red) 3rd Choice: Station 1 (Red)

NDC Number: [ ]

Cost Per mL: \$ [0.00]

Rinse After Dispensing:  Yes  No  Automatic

Electrolyte Content:

Na <sup>+</sup>	[3.00]	mmol/mL
K <sup>+</sup>	[0.00]	mmol/mL
Ca <sup>++</sup>	[0.00]	mmol/mL
Mg <sup>++</sup>	[0.00]	mmol/mL
PO <sub>4</sub> <sup>-</sup>	[0.00]	mmol/mL
CL <sup>-</sup>	[0.00]	mmol/mL
AC <sup>-</sup>	[1.50]	mmol/mL

Notes: [ ]

Update Delete Cancel

Save changes to this Additive.  
Delete this Additive.  
Exit without saving changes.

Version 0.1.1130 Copyright © 2001 Arizona Medical Devices, LLC. All Rights Reserved. Tuesday, December 11, 2001

Done

486

Fig. 11-1 (3)

500 →



# Daily Checklist

For Compounder: "Cmp A"

add a new checklist item

view checklist reports for this compounder

Done

Copy

Return to Menu

Copies this checklist to a different compounder.

FIG 11 J(1)

500

# Daily Checklist

For Compounder: "Cmp-A"

1. Disinfect Laminar Flow Hood Work Surfaces	edit	move up	move down	delete
2. Install New Transfer Set	edit	move up	move down	delete
add a new checklist item				
view checklist reports for this compounder				

**Done**

Return to Menu


**Copy**

Copies this checklist to a different compounder.

FIG 11 J(2)

476
468
476
470

Container Label 0



**M<sub>x</sub> Automatic Compounder**

Patient - Test Patient #1 ID # 111-11-1111  
 Location: Room 222, Bed 1 Weight: 34.0 Kg  
 Order # Container 1  
 Physician: Dr. Smith

Bag ID # 0001 Delivery Time: 06-26-01 08:00 AM


Infusion Rate: 125 mL/hr Infusion Volume: 0 mL Infusion Period: 0 hrs

Stable Water	111.00 mL	Order Volume: Minimum Container Overfill: None Compounded Vol: 0 mL
Dextrose 70%	222.00 mL/Liter	
Intralipid 10%	333.00 mL/Kg	
BranchAmin	999.00 mL	

This solution contains 0.00 gm/liter Total Amino Acids.  
The Total Amino Acids Contain 0.0% Branched Chain Amino Acids

Additive	Dose
Sodium Chloride	1.00 mEq
Potassium Chloride	2.00 mL/Liter
Sodium Acetate	3.00 mEq NA+/100Kg
Zinc	0.50 mL/100Kg

Worksheet 0



Printed 12-30-99 12:00 AM

**M<sub>x</sub> Automatic Compounder**

Patient - Test Patient #1 ID # 111-11-1111  
 Location: Room 222, Bed 1 Weight: 34.0 Kg  
 Order # Container 1  
 Physician: Dr. Smith

Bag ID # 0001 Delivery Time: 06-26-01 08:00 AM  
 Osmolarity: 3.4456 Cost: \$123.45

Total Amino Acids: 139.00 gm/liter. Total Amino Acids Contain 50.0% Branched Chain Amino Acids

Base Comp	Conc.	Order Dose	Code	Station	mL
Stable Water	4.000 mEq	111.00 mL	1234-5678	1 Red	999.9
Dextrose 70%	4.000 mEq	222.00 mL/Liter	1234-5678	1 Red	999.9
Intralipid 10%	4.000 mEq	333.00 mL/Kg	1234-5678	1 Red	999.9
BranchAmin	4.000 mEq	999.00 mL	1234-5678	1 Red	999.9
Water	4.000 mEq		1234-5678	1 Red	999.9

Additive	Conc.	Order Dose	Code	Station	mL
Sodium Chloride	4.000 mEq	1.00 mEq	1234-5678	1 Red	999.9
Potassium Chloride	4.000 mEq	2.00 mL/Liter	1234-5678	1 Red	999.9
Sodium Acetate	4.000 mEq	3.00 mEq NA+/100Kg	1234-5678	1 Red	999.9
Zinc	4.000 mEq	0.50 mL/100Kg	1234-5678	1 Red	999.9


Order Volume: Minimum  
No overflow volume

Compounded Volume: 0 mL  
Use 9999 mL PVC Final Bag

Prepared by \_\_\_\_\_ Unknown  
 final notes  
 Expires: Unknown Hung By \_\_\_\_\_ at \_\_\_\_\_  
 Intended for Use With Piggyback: Intralipid 10%

474

Piggyback Container Label 0



**M<sub>x</sub> Automatic Compounder**

Patient - Test Patient #1 ID # 111-11-1111  
 Location: Room 222, Bed 1 Weight: 34.0 Kg  
 Order # Container 1  
 Physician: Dr. Smith

Bag ID # 0001 Delivery Time: 06-26-01 08:00 AM

Infusion Rate: 125 mL/hr Infusion Volume: 0 mL Infusion Period: 0 hrs

Piggyback Container

Intralipid 10%	333.00 mL/Kg
----------------	--------------

Osmolarity: 3.4567

Electrolytes Contained in Piggyback

NA+	3.02 mEq/liter
CL-	2.00 mEq/liter
AC-	0.51 mEq/liter


Prepared by \_\_\_\_\_ Unknown

worksheet notes

Nut Contents Wgt: 0.0 gm Estimated Final Container Total Wgt: 9999 gm  
 Base Components: 9999 gm Additives: 9999 gm Refractive Index: 0.000

Compounded by \_\_\_\_\_ Manual Adds by \_\_\_\_\_ Checked by \_\_\_\_\_

Nutrition Information 0



**M<sub>x</sub> Automatic Compounder**

Patient - Test Patient #1 ID # 111-11-1111  
 Location: Room 222, Bed 1 Weight: 34.0 Kg  
 Order # Container 1  
 Physician: Dr. Smith

Bag ID # 0001 No overflow volume  
 Order Volume: Minimum Compounded Vol: 0 mL  
 0 mL at 125 mL/hr will run for 0 hrs

The solution contains 0.00 gm/liter Total Amino Acids.  
The Total Amino Acids Contain 0.0% Branched Chain Amino Acids. Osmolarity: 3.4567

Nutritional Content	%Total	%NPC
Nitrogen	0.00 gm/liter	
Protein	0.00 Kcal/liter	0%
Dextrose	0.00 Kcal/liter	0%
Lipid	0.00 Kcal/liter	0%
Total	0.00 Kcal/liter	100%
Non-Protein	0.00 Kcal/liter	100%

Nutritional Ratios	
Total Kcals / Nitrogen	N/A
Protein Kcals / Nitrogen	N/A
Non-Protein Kcals / Nitrogen	N/A
Protein Kcals / Non-Protein Kcals	N/A
Lipid Kcals / Total Kcals	N/A

Electrolyte Totals	
NA+	3.02 mEq/liter
K+	0.00 mEq/liter
CA++	0.00 mEq/liter
MG++	0.00 mEq/liter
PO4-	0.00 mEq/liter
CL-	2.00 mEq/liter
AC-	0.51 mEq/liter

Fig. 12

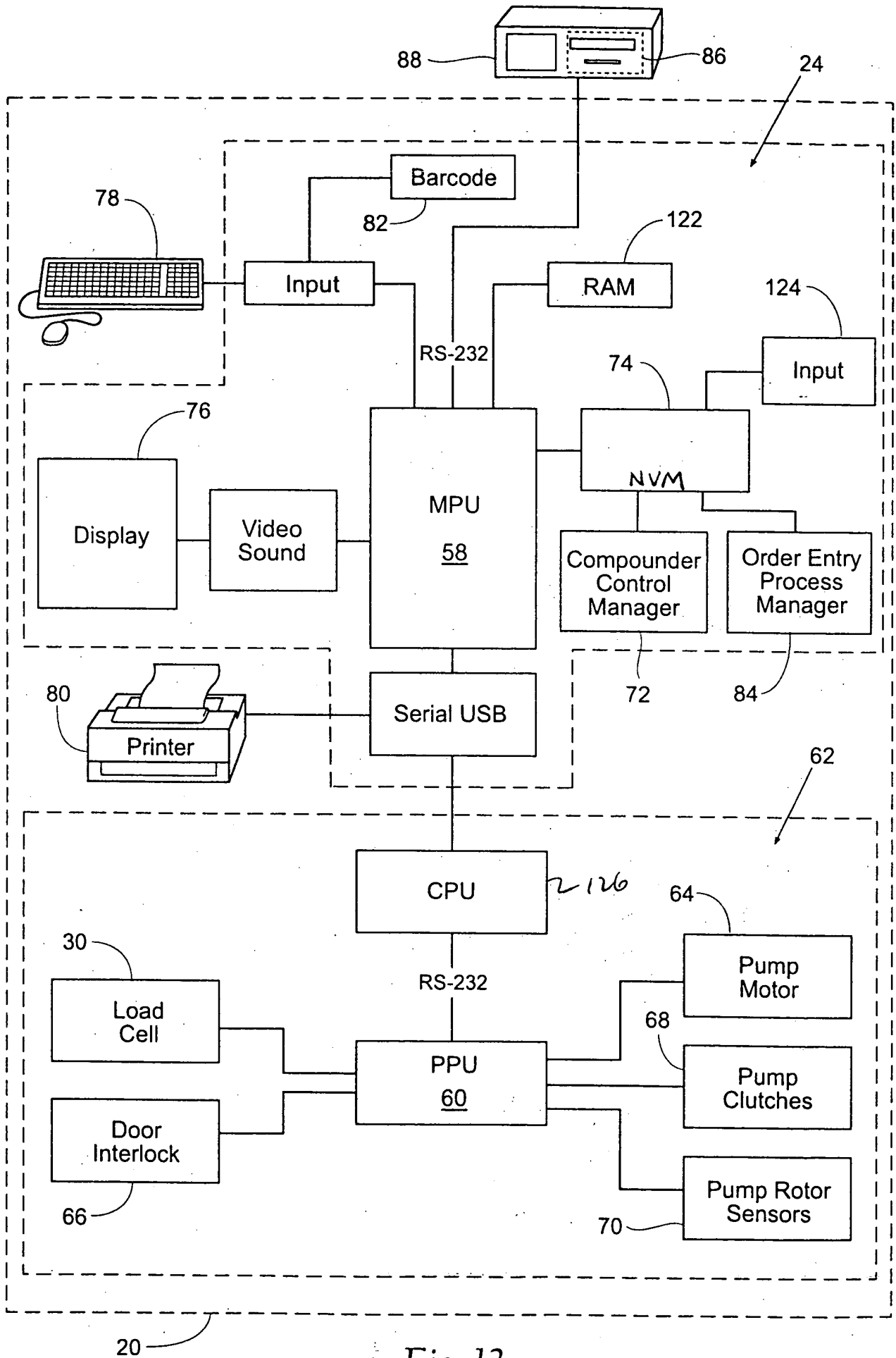
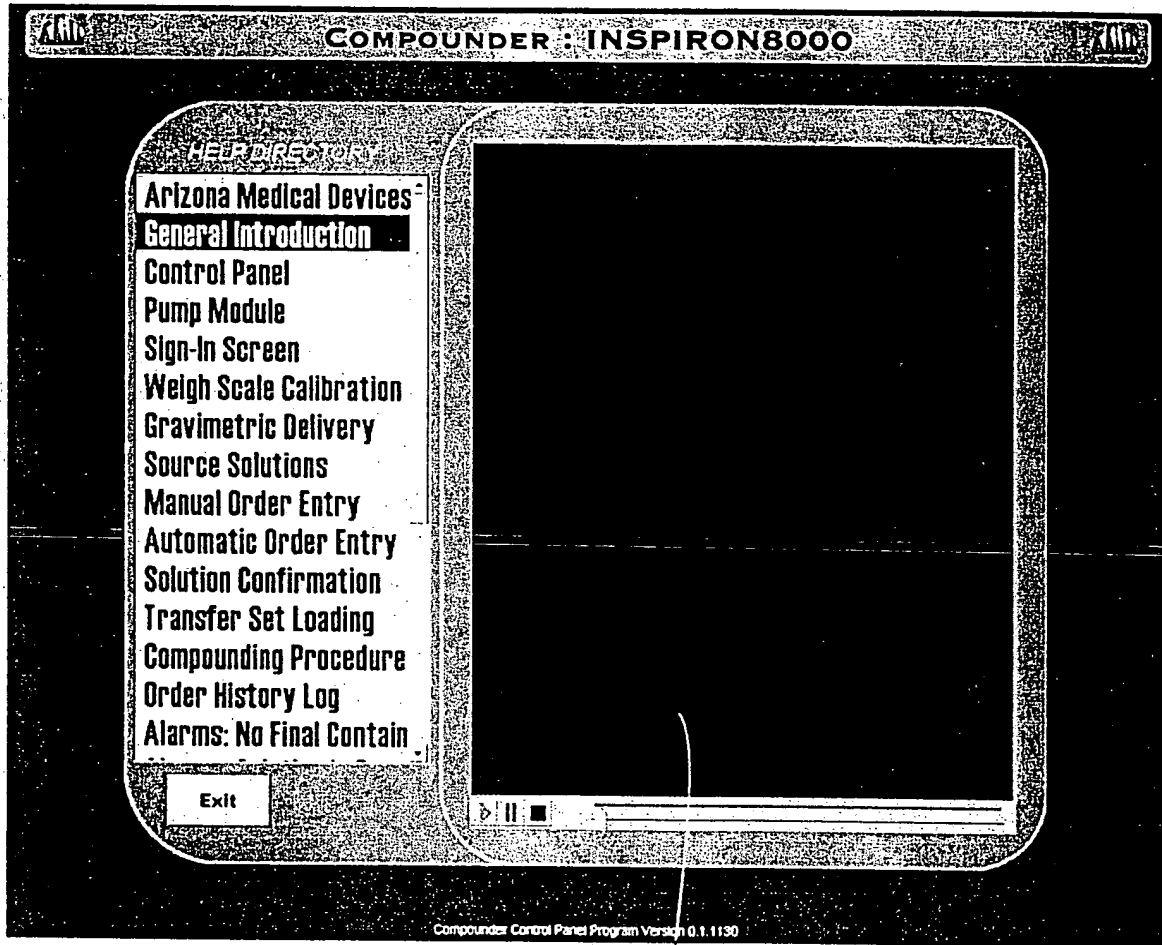


Fig. 13



270



272

Fig. 14A

272

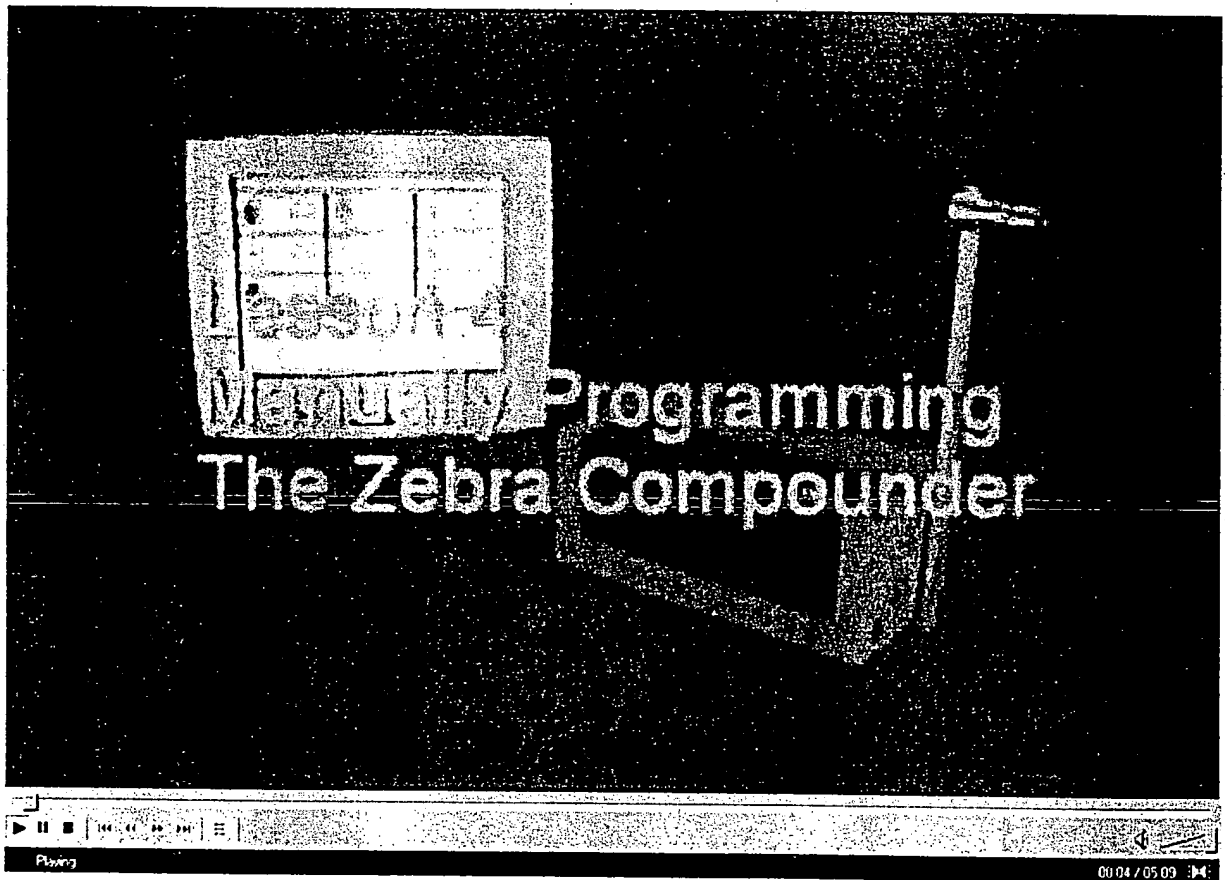


Fig. 14B (1)

272

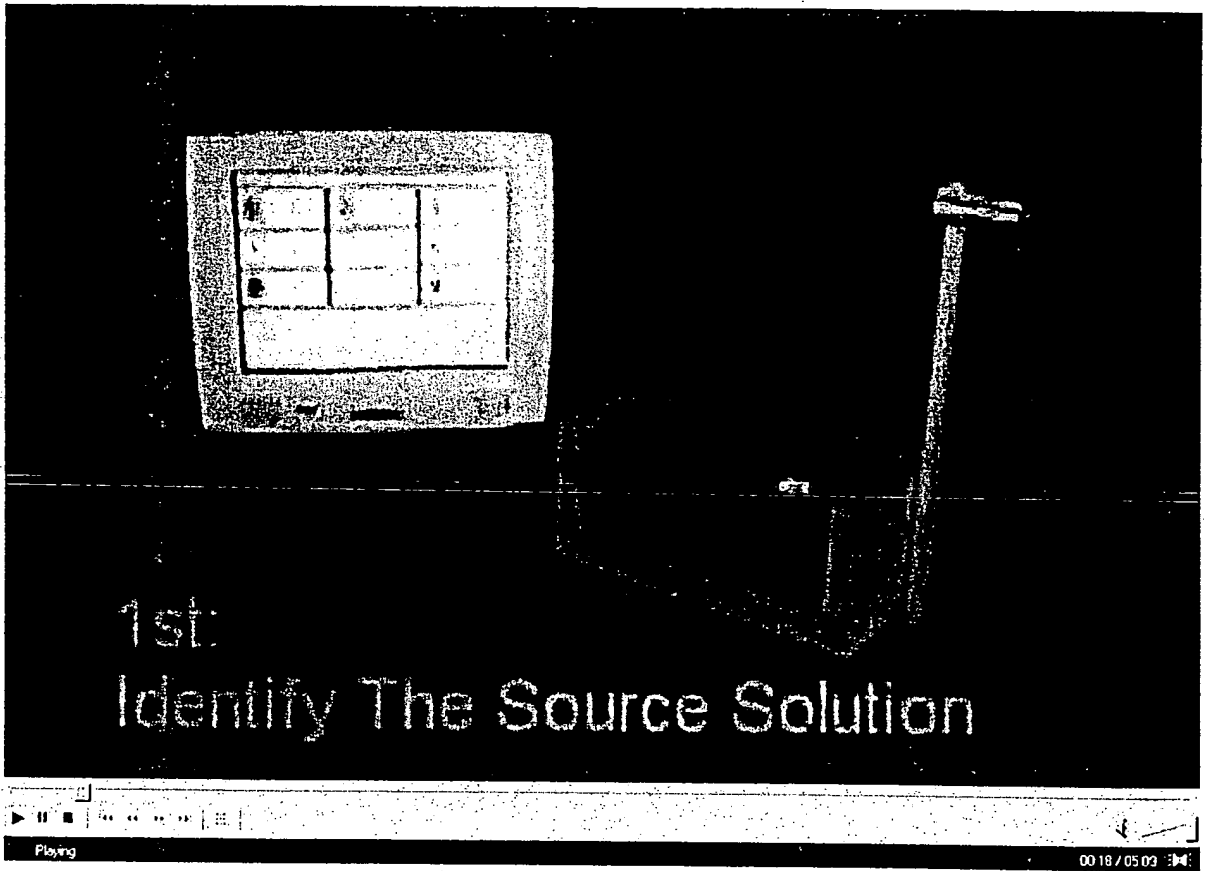


Fig. 14B (2)

272

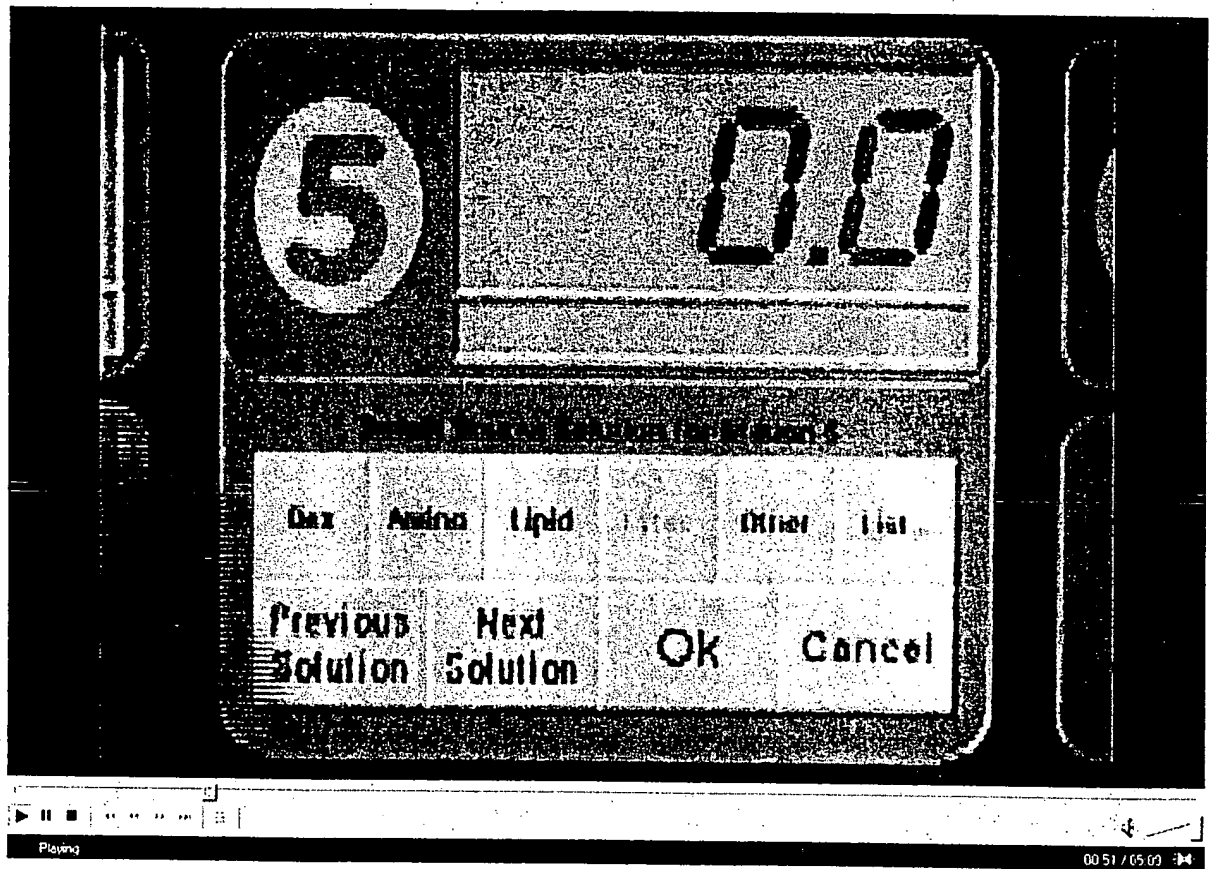


Fig. 14B (3)

272

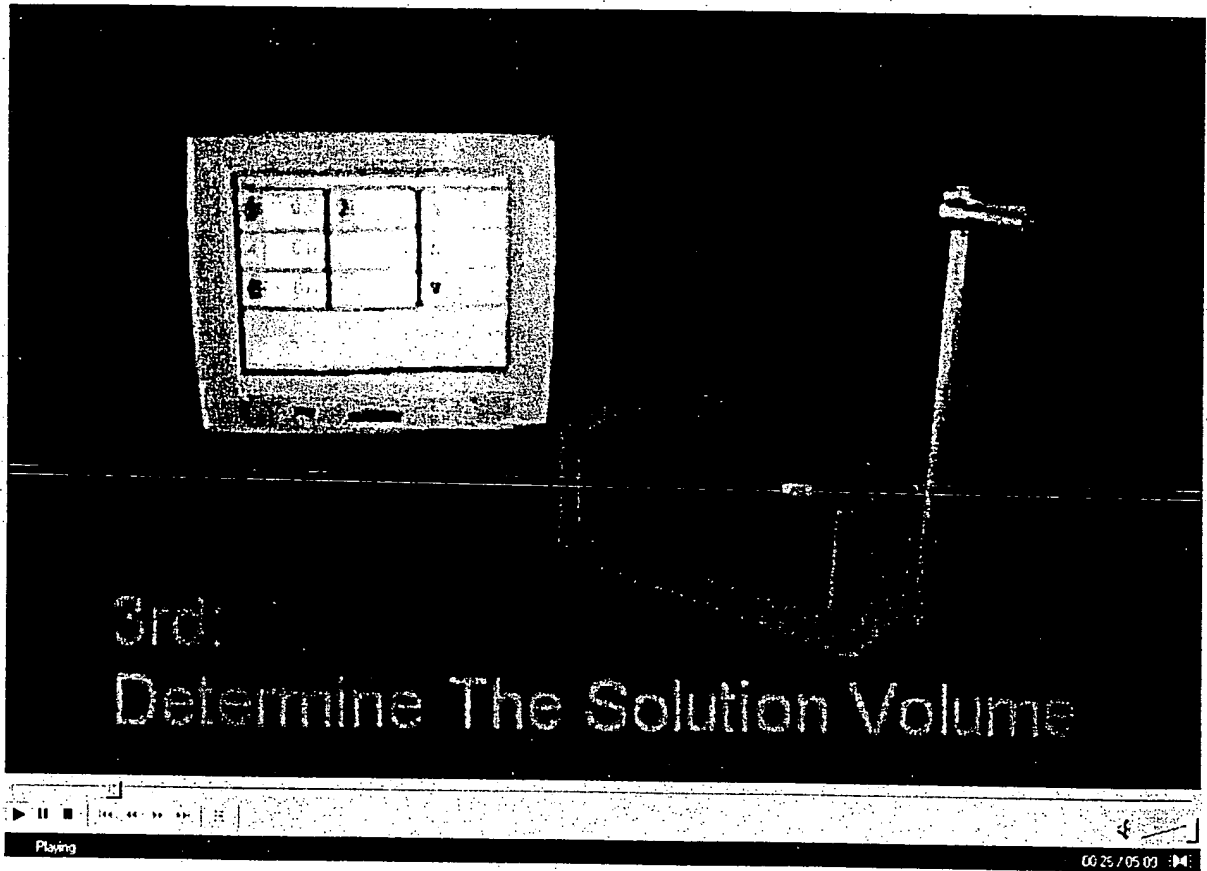


Fig. 14B (4)

272

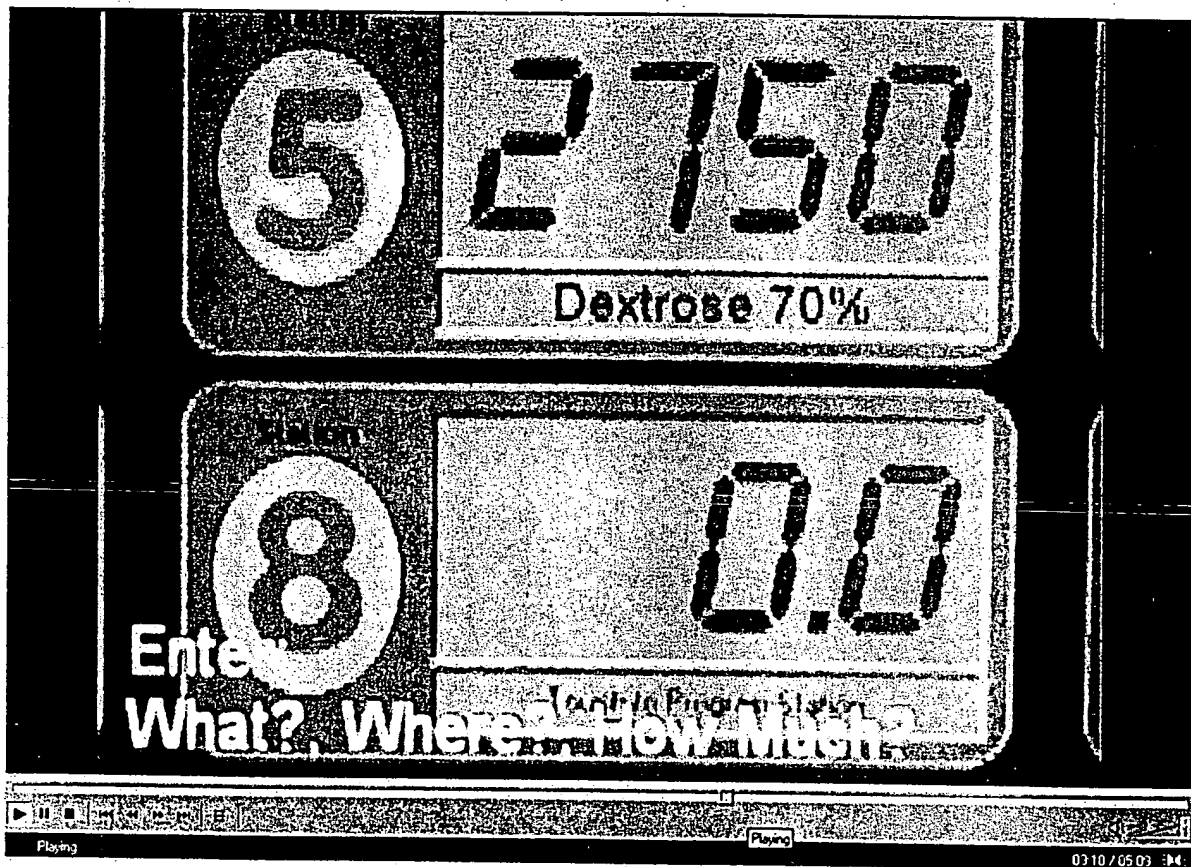


Fig. 14B (5)

272

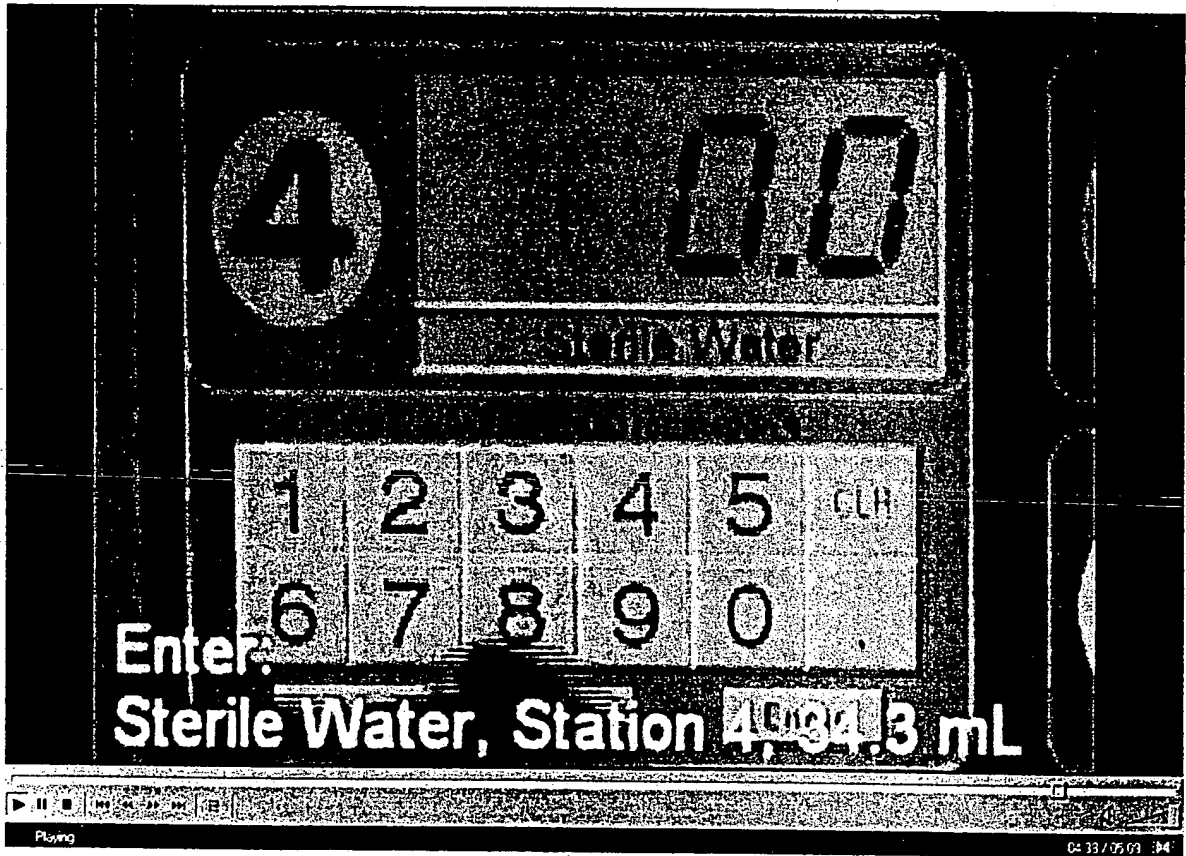


Fig. 14B (6)

272

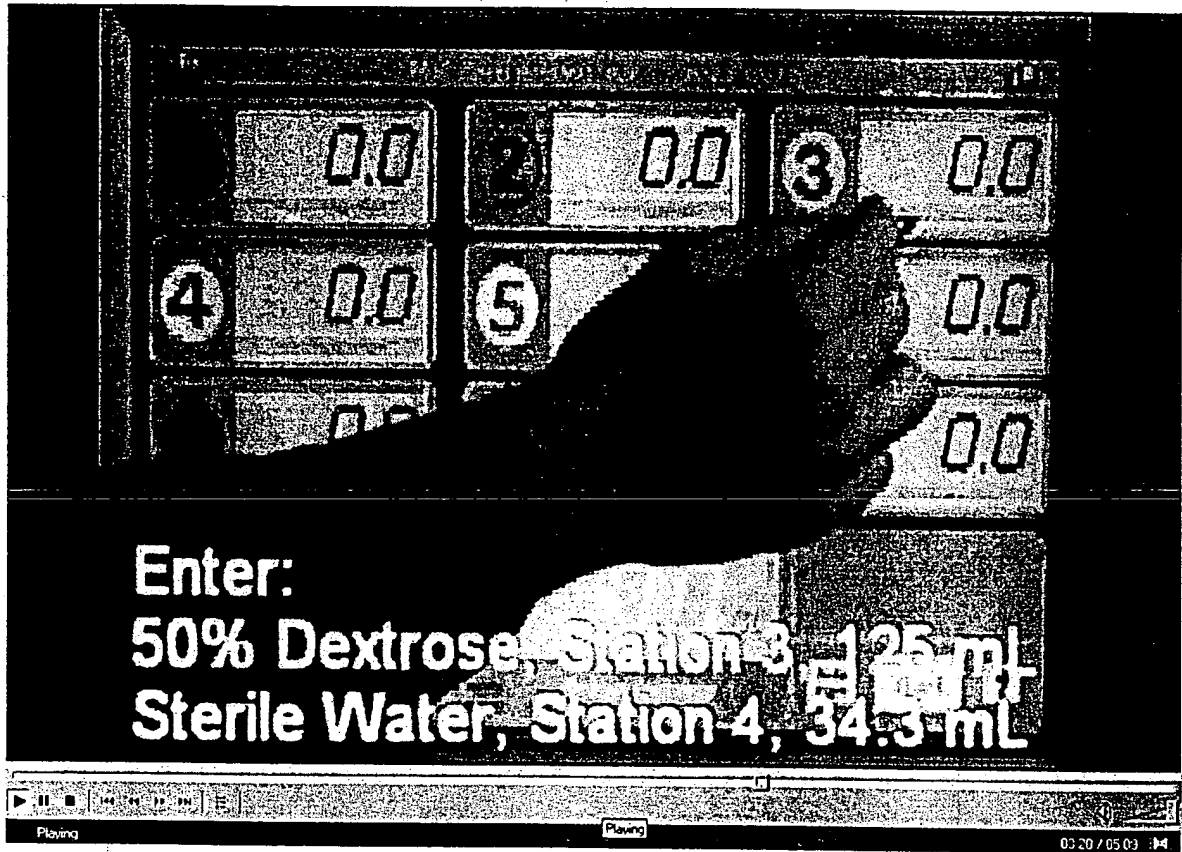


Fig. 14B (7)



272

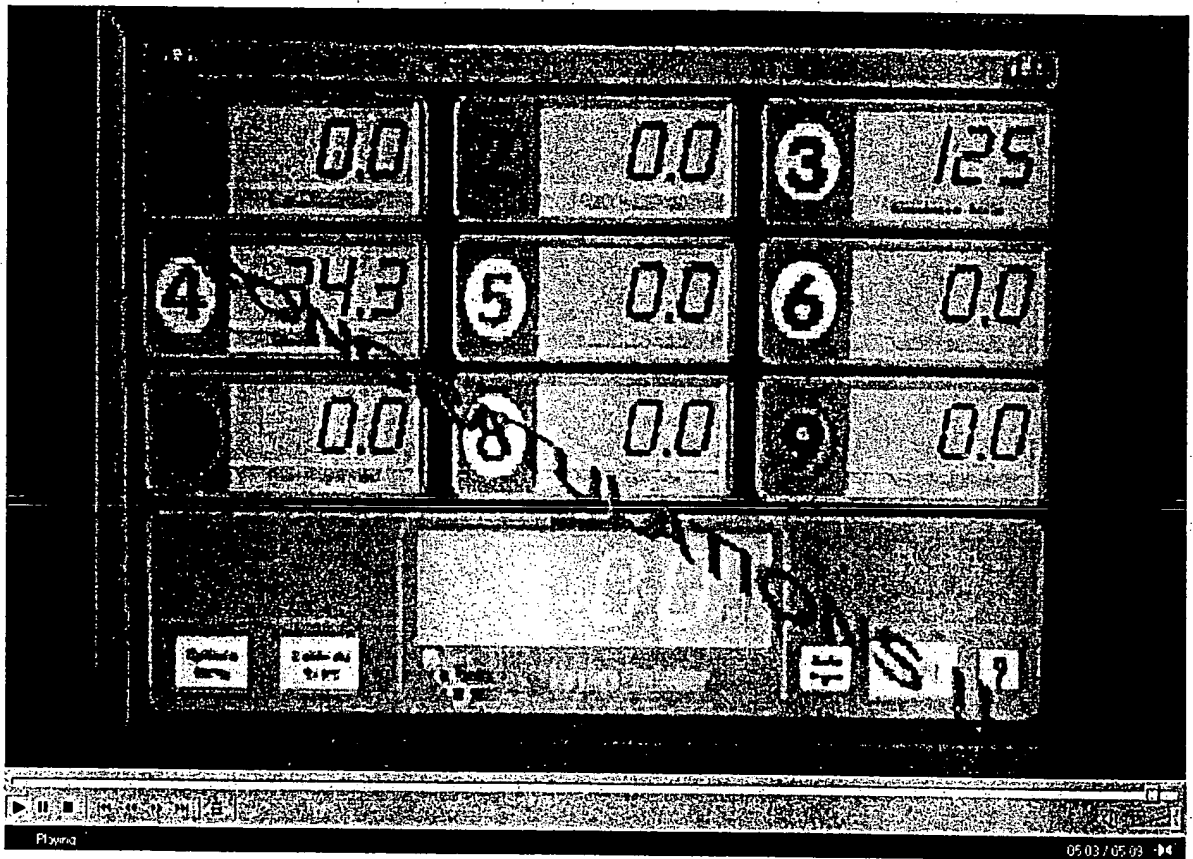


Fig. 14B (8)

1502

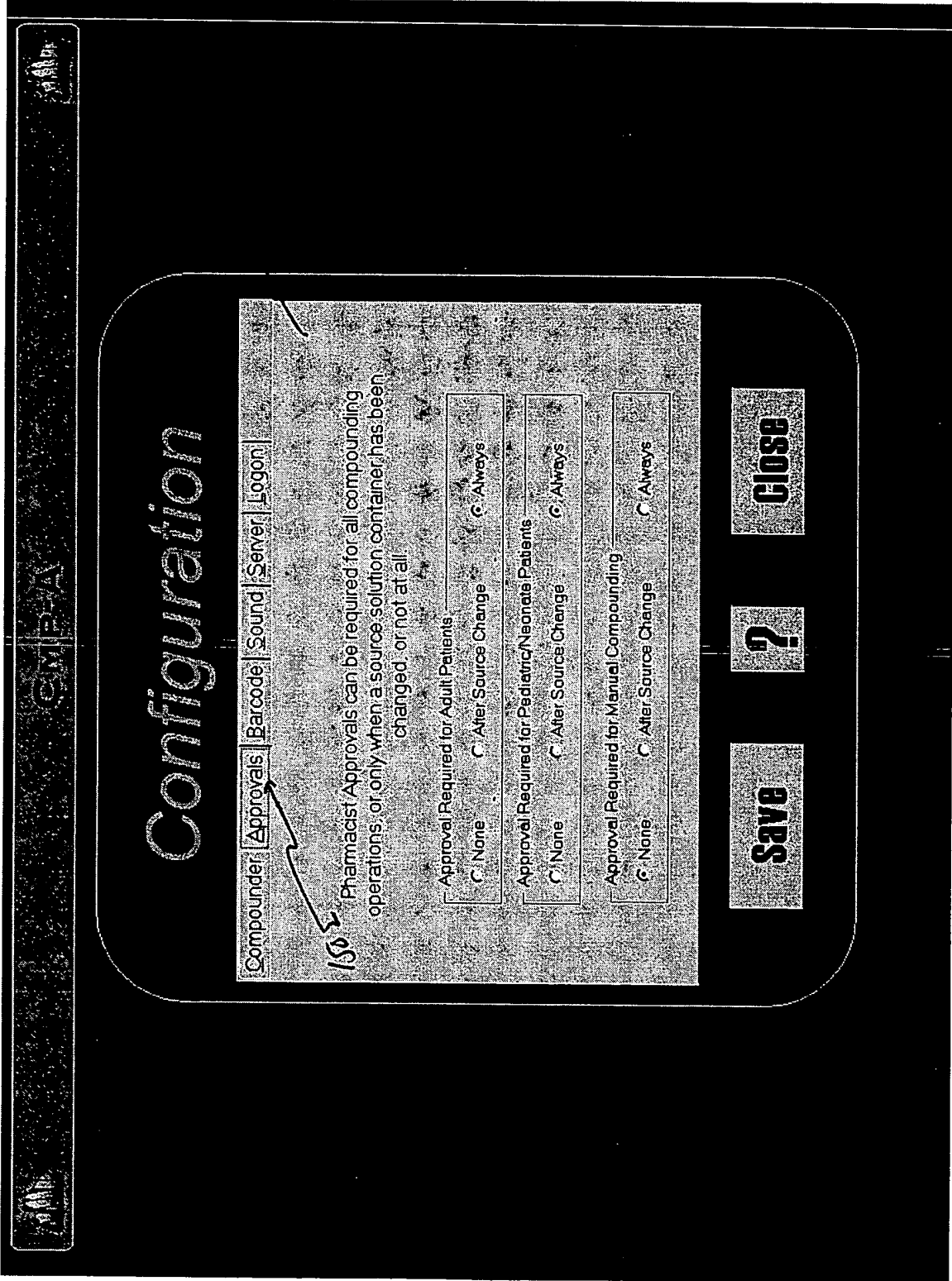


FIG 15A

1506 - 1504

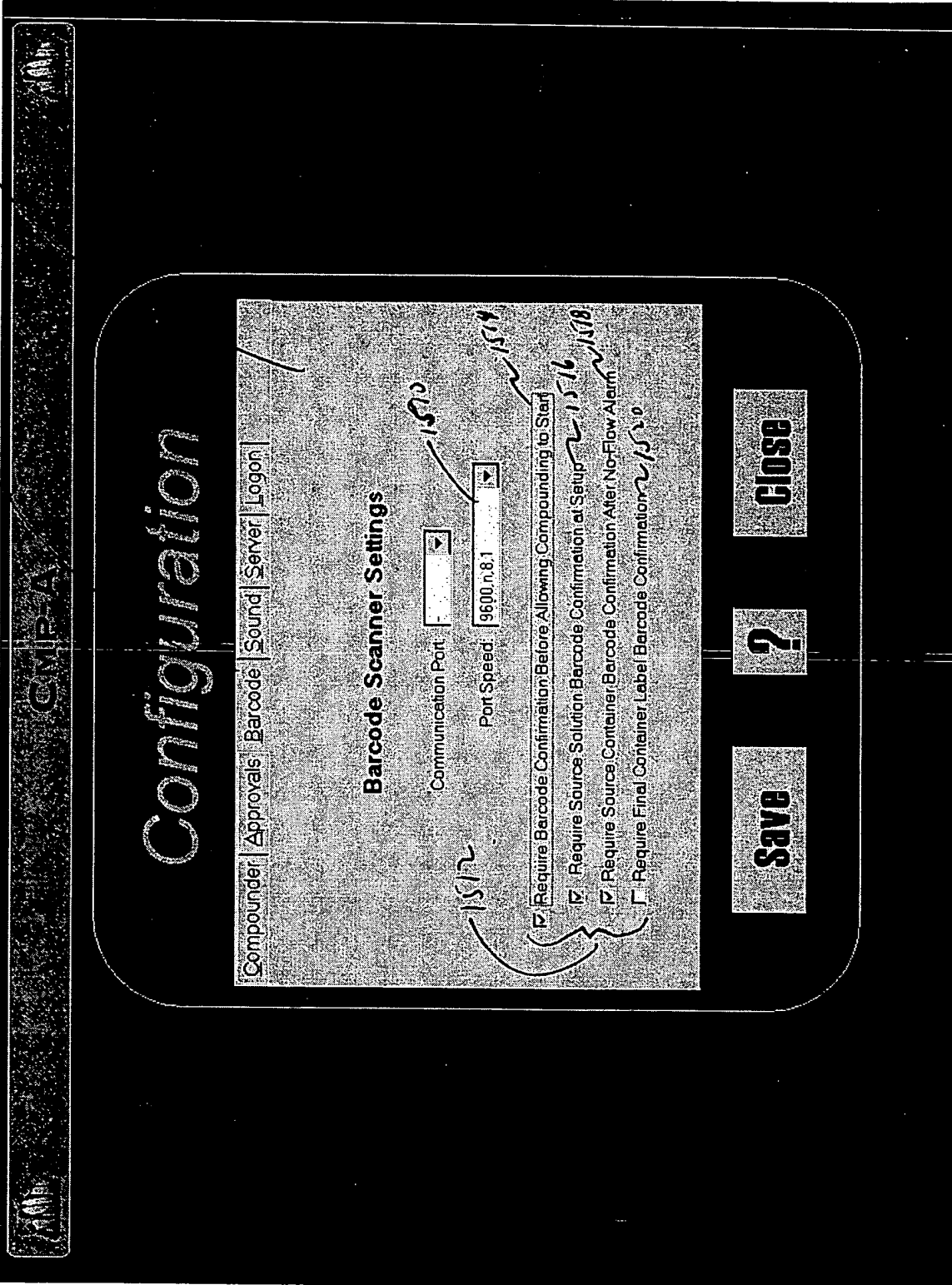


FIG. 15B

Screen is Frozen for Cleaning...

0:26

Press 'Esc' to close this screen immediately.

F14-16

1700

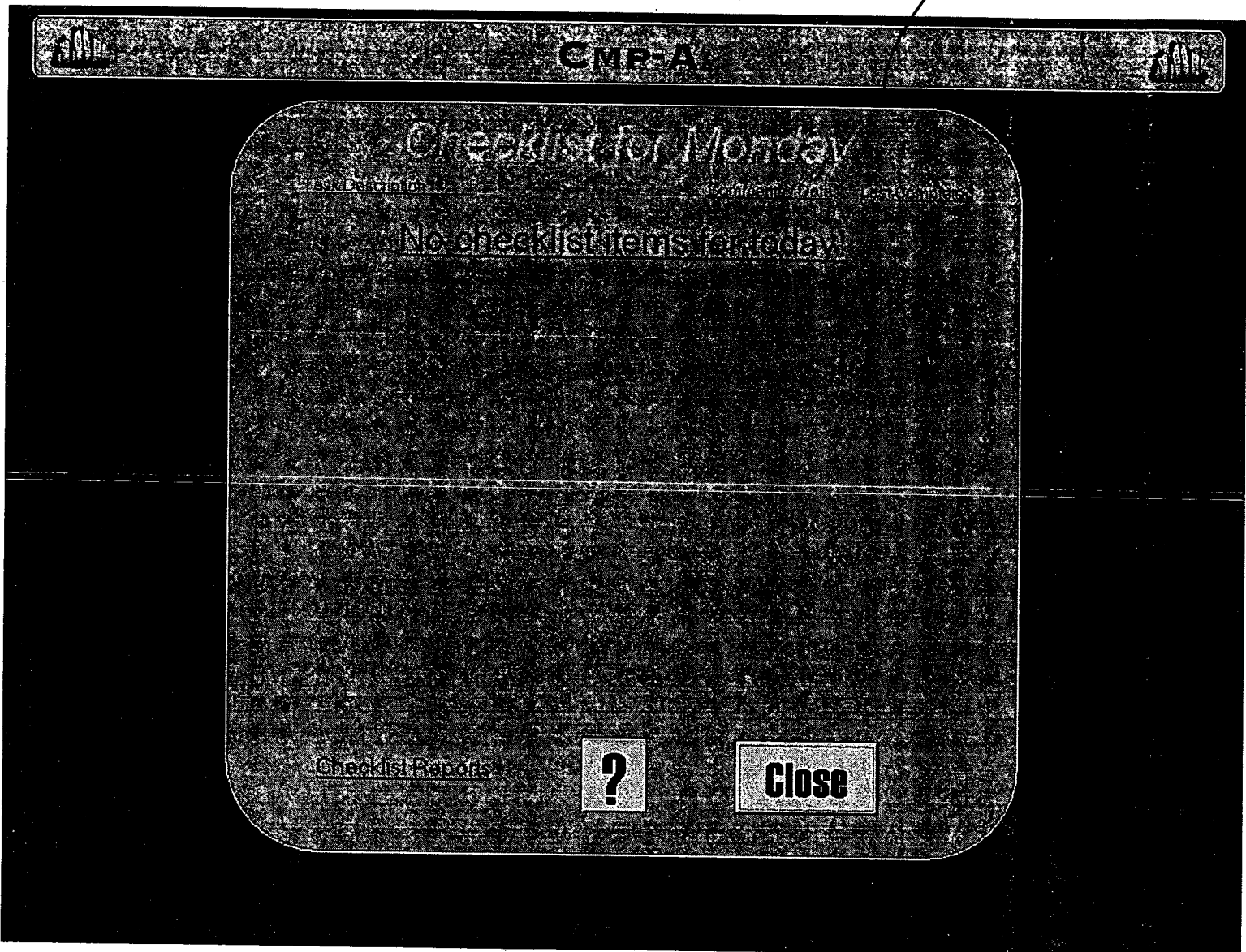


FIG 17

Quick Find:  Search

- Navigation
  - Home
  - Help
  - Search
  - Sign Off
- Prescription Orders
  - Patients
  - Formula Library
- Reports
  - TPN Order Activity
  - Compounder Activity
  - Solution Usage
  - Patient
  - History Logs
- Inventory Configuration
  - Base Components
  - Additive Solutions
  - Ampoules & Cartrons
  - Final Containers
  - Infusion Pumps
- Compounder Configuration
  - Compounders
  - Pump Stations
  - Schedules
  - Print Settings
- Facility Administration
  - Facilities
  - Personnel Groups
  - Individual Personnel
  - Individual Physicians
- System Administration
  - Patient Types
  - Fixed Costs
  - Regional Options
  - Security
  - Admin Sys Link
  - Archiving

490  
495



## Infusion Pumps

Select a Infusion Pump from the following list  
or Add a New Infusion Pump.

497

- Infusion Pump List
- Horizon NX
- Vista Basic
- Vista Infusion System
- Vista Reliance
- Report Usage New

496

FLG-18A

498

**B BRAUN**

Horns  
Operator: System Administrator

**TPN Manager**

Screen 119  
IV Pump Inventory

Data Entry



IV Pump Inventory

History: Created: 11/24/2003

Record Status:  Enabled  Disabled

IV Pump Model: Horizon Nxt

IV Pump Description: Hospital Pump with barcode reader

**Update**  
**Delete**  
**Cancel**

Save changes to this Record.

Delete this Record.

Exit without saving changes.

Version: 0.0.8371

Copyright © 2003 B Braun Medical Inc. All Rights Reserved.


Tuesday, November 25, 2003

FIG 18 B

Nutritional Assessment

Current Patient Record Information

Edit Patient Record

Patient Name: <i>Test Patient #1</i>	Patient ID: <i>111-11-1111</i>	
Location: <i>Room-1</i>	Age: <i>22 Years</i>	
Diagnosis: <i>diagnosis 1</i>	Sex: <i>Male</i>	
	Height: <i>77.0 cm</i>	
	Weight: <i>44.0 Kg</i>	
Allergies: <i>None</i>		
Physician:		
Patient Type: <i>Adult</i>		
ASPEN Class: <i>Adult</i>		

Patient Information for the Assessment

Assessment Title:	<i>test assessment</i>
Last Updated:	<i>Monday, November 24, 2003, 11:30 am</i>
Patient:	<i>Male</i>
Age:	<i>22.0</i> years
ASPEN Class:	<input type="radio"/> Neonate <input type="radio"/> Pediatric <input checked="" type="radio"/> Adult <input type="radio"/> Geriatric
Weight:	<i>44.0</i> Kg
Height:	<i>77.00</i> cm
Injury Factor:	<i>Low = 1.2 to 1.3 * BEE (uncomplicated, general surgery)</i>
Stress Factor:	<i>Mild = 1.2 to 1.5 * ABW</i>

Update Assessment    Delete Assessment

Calculated Nutritional Requirements

Ideal Body Weight:	<i>50 Kg (110 Lbs)</i>
Condition Assessment:	<i>MALNOURISHED</i>
Adjusted Body Weight:	<i>44 Kg (97 Lbs)</i>
Resting Energy Expenditure:	<i>906 kcal/Day</i>
Recommended Calorie Range:	<i>1087 to 1177 kcal/Day</i>
Recommended Protein Range:	<i>52 to 66 gm/Day</i>
Recommended Fluid Range:	<i>2376 to 2970 mL/Day</i>

Compare this nutritional assessment to an existing order

Enter a TPN Order based on this nutritional assessment

Done



2000

BRAUN

Home Operator: System Administrator

TPN Manager

Screen 120 Physicians

Search

Quick Find

- Navigation
  - Home
  - Help
  - Search
  - Sign Off

- Prescription Orders
  - Patients
  - Formula Library

- Reports
  - TPN Order Activity
  - Compounder Activity
  - Solution Usage
  - Patient
  - History Logs

- Inventory Configuration
  - Base Components
  - Additive Solutions
  - Antions & Carboys
  - Final Containers
  - Infusion Pumps

- Compounder Configuration
  - Compounders
  - Pump Stations
  - Schedules
  - Print Settings

- Facility Administration
  - Facilities
  - Personnel Groups
  - Individual Personnel
  - Individual Physicians

- System Administration
  - Patient Types
  - Fixed Costs
  - Regional Options
  - Security
  - Admin Site Link
  - Archiving

406 → 407



Select a Physician from the following list or Add a New Physician. 2-2004

- Physician List
  - doc
  - doc-user
  - Report Using Menu

2-2002

Version 0.0.8371

Copyright © 2003 Braun Medical Inc. All Rights Reserved.

Tuesday, November 25, 2003

FIG 20A

2006

History:  New Record

Record Status:  Enabled  Disabled

Log On User:  Yes  No

Permanent Login ID: Jones, Michael

CP Login ID #: MJones

Facility: Default Facility

Full Name: Dr. Michael C. Jones

Title:

Address: 29923 East 56th Street  
Scottsdale, Arizona 85262

Office Telephone: 480-555-1212

Mobile Telephone: 480-555-1234

Pager Number: 480-555-1236

FAX Number: 480-123-4567

E-Mail Address: Michael.Jones@HealthMdi.com

Additional Contact Information:

Federal Physician ID: 1232564894

Local Physician ID: 694315

Service: 602-885-4562

Save changes to this Personnel Record.

Exit without saving changes.

2007

2008

P16 20 B



TPN Order Entry

Patient Information

Patient Name: Test Patient #1      Patient ID: 118-11111  
 Location: Room 1      Age: 22 Years  
 Diagnosis:      Sex: Male  
 Physician:      Height: 17.0 cm  
 Allergies: None      Weight: 44.0 Kg



2103

2100

I.V. Container Information

Order Number: TPN1001-TEST      Order History: 11/23/2003 10:43:04 (pharm) Changed TPN Order

Billing Code:      Batch Copies: 7      Repeating Order:  No  Yes

Injection Volume:  Minimum Possible      Injection Rate: 125.00 mL/Hour      Injection Period: 8.00 Hours  
 1000 mL  Total  Per Kg

Overall Volume: 30 mL      Delivery Date: 11/25/2003      Delivery Time: 12:00 AM

I.V. Pump: Horizon Nbd      Adm. Route:  Central  Peripheral  PICC

Container Label Notes:     

Worksheet Label Notes:     

2102

2106

Base Component

Base Component	Order Dose	ml	Unit
Fructose 10%	250.00 mL	250.0	detail
Dextrose 70%	150.00 mL	150.0	detail

Add Solution To Order      Number Chgs: Substns

Solution:      Order Dose:      Per:     

Pre-Fill Container:       Piggyback       Final Container

2108

Additive

Additive Solution	Order Dose	ml	Unit
Sodium Chloride (2.5)	5.00 mEq	2.00	detail
Potassium Phosphate	5.00 mmol	1.70	detail

Add Solution To Order      Additive Order Calc: Pharm

Solution (default unit):      Order Dose:      Per:       Default Unit  mL

Additive Pooling:       Yes  No      Pool Container Overall: 10 mL

2110

2104

2111

Nutritional Summary

<b>Order Summary</b>	<b>Nutritional Content</b>	<b>Electrolyte Content</b>
Compounded Volume: 1030.0 mL	4 gm Nitrogen	5 mEq Na+
Osmolality: 802 mOsm/L	100 Kcal Protein	5 mEq Cl-
Aluminum Content: 0 mcg/Kg	308 Kcal Dextrose	7.48 K+
	0 Kcal Lipid	5.1 mmol PO4=
	458 Kcal Total	0 mEq Ca++
		0 mEq Mg++
		0 mEq AC

Order Status

<b>Open</b>	<b>Submitted</b>	<b>Authorized</b>	<b>Printed</b>	<b>Compounded</b>
Open for Entry <input type="button" value="Submit"/>	Submitted for Review & Authorization	Review Completed, Ready to Print Labels	Labels Printed, Ready for Compounding	Order Completed, Ready for Delivery to Patient

I have reviewed this order for accuracy and compliance with the policies at this facility.

Schedule:  A  B

Authorizing Pharmacist: pharm  
Tuesday, November 25, 2003

Delete this TPN Order

Copy this TPN Order to a New Order

Copy this TPN Order to the Formula Library

FIG 21A

2120



Additive Solution Inventory

History: Created 11/24/2003

Record Status:  Enabled  Disabled

Solution Name: Sodium Chloride (4)

Print on Label As: Sodium Chloride

Solution Type:  Electrolyte  Vitamins  Trace Minerals  Medication  Other

Additive Pooling:  Allow  Disallow

Print Option:  List Individually  Electrolyte Summary

Concentration: 4.000 mEq/mL

Specific Gravity: 1.15

Osmolarity: 8008 mOsm/L

Aluminum Content: 0.00 mcg/L

Patient Type(s):  Adult  Neonate  Pediatric

Product NDC Numbers:

Cost Per mL: \$ 0.00

Electrolyte Content:

Na+ (mEq/ml)	4.0000
Cl- (mEq/ml)	4.0000
K+ (m)	
Ca++ (mEq/ml)	
Mg++ (mEq/ml)	
PO4- (mmol/ml)	
AC- (mEq/ml)	

[Add or Edit the Available Electrolytes](#)

Notes:

Save changes to this Additive.

Delete this Additive.

Exit without saving changes.

2122

FIG 21B